

uniview

# IPC3232ER-DV(VS) 2MP Network IR Fixed Dome Camera



## Features:

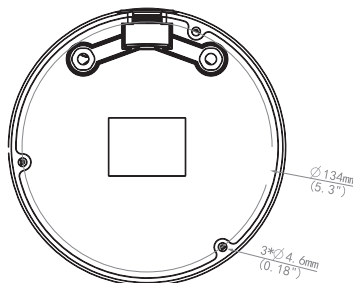
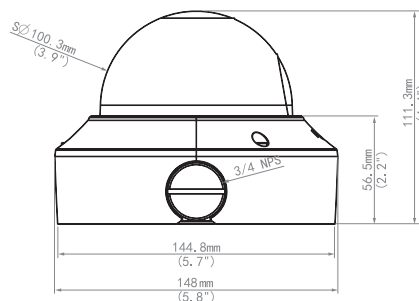
- Smart IR, up to 30m (98ft) IR distance
- 120dB true WDR (-DV)
- DC12V, PoE, wide voltage range of  $\pm 25\%$
- IP66, IK10

# IPC3232ER-DV(VS)

## 2MP Network IR Fixed Dome Camera

Camera	IPC3232ER-DV	IPC3232ER-VS
Sensor	1/2.8", 2 megapixel, progressive scan CMOS	1/2.9", 2 megapixel, progressive scan CMOS
Shutter	Auto/Manual, 1/6~1/8000s	
Lens	2.8~12mm@F1.4; angle of view (H): 100.0° (wide) ~30° (tele)	
Zoom/Focus	Manual	
Min. Illumination	Color: 0.03lux (F1.4, 50IRE), black and white: 0.01lux (F1.4, 50IRE)	
Day/Night	IR-cut filter with auto switch (ICR)	
IR Range	Up to 30m (98ft) IR range	
S/N	>52dB	
WDR	Optical WDR (up to 120dB)	Digital WDR
<b>Video</b>		
Max. Resolution	1920×1080	
Video Compression	H.264, MJPEG	
Frame Rate	1080P (1920×1080) 30fps; 720P (1280×720) 30fps; D1 (720×576) 25fps	
9:16 Corridor Mode	Supported	
ROI	Supported	
Video Streaming	Triple	
<b>Audio</b>		
Audio Compression	G.711	N/A
Two-way Audio	Supported	N/A
<b>Storage</b>		
Edge Storage	Micro SD, up to 128GB	
<b>Network</b>		
Protocols	L2TP, IPv4, IGMP, ICMP, ARP, TCP, UDP, DHCP, PPPoE, RTP, RTSP, Qos, NTP, FTP, HTTP, SNMP, SIP	
Compatible Integration	ONVIF, IMOS, API	
<b>Interface</b>		
Audio I/O	Audio cables	N/A
	Input: impedance 35kΩ; amplitude 2V [p-p]	N/A
	Output: impedance 600Ω; amplitude 2V [p-p]	N/A
Alarm I/O	1/1	N/A
Network	1 RJ45 10M/100M Base-TX Ethernet	
Video Output	1 BNC, impedance 75Ω; amplitude 1V [p-p]	N/A
Reset	1 reset button	
Power Output	DC12V power output with PoE	
<b>General</b>		
Power	12V DC, or PoE (IEEE802.3 af), max.6.6W (PoE: max.7.2W)	
Dimensions (Ø x H)	Φ148 x 111.3mm (Ø5.8" x 4.4")	
Weight	0.75kg (1.7lb)	
Working Environment	-40°C ~ +60°C (-40°F ~ 140°F), humidity ≤ 90% RH(non-condensing)	
Vandal Resistant	IK10	
Ingress Protection	IP66	

\*Product specifications and availability are subject to change without notice.



Zhejiang Uniview Technologies Co., Ltd.  
 Address: Building No.10, Wanlun Science Park, Jiangling Road 88, Binjiang District, Hangzhou, P. R. China, 310051  
 Website: [www.uniview.com](http://www.uniview.com) Email: [overseasbusiness@uniview.com](mailto:overseasbusiness@uniview.com)  
 ©2015 Zhejiang Uniview Technologies Co., Ltd. all rights reserved.  
 2015.08-OM-150830-HZ V2.0