

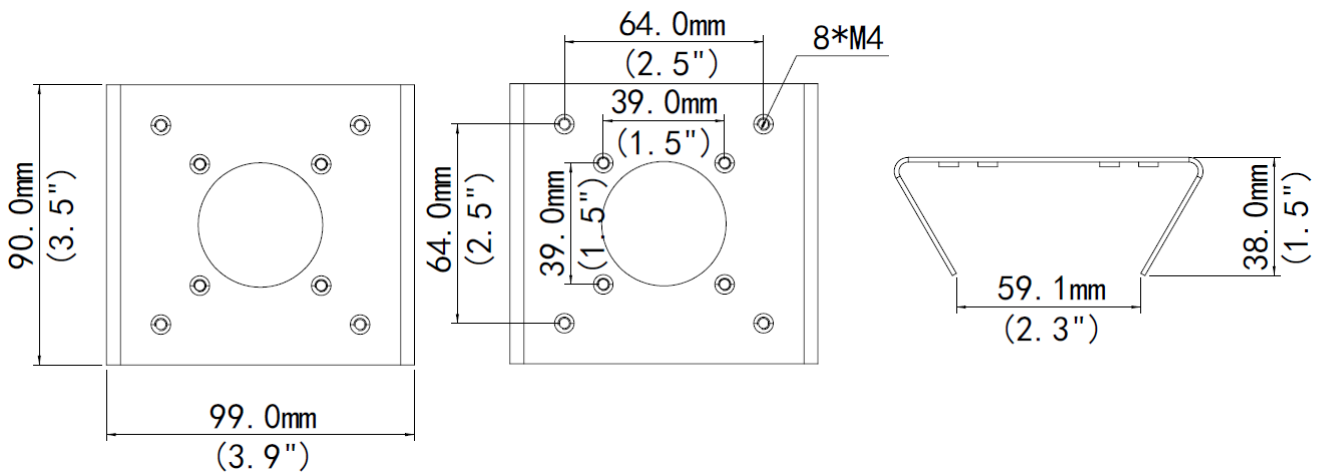
# TR-UP06-A-IN Pole Mount Adapter



## Specifications

|                       |  |
|-----------------------|--|
| Bracket               | TR-UP06-A-IN   |
| Application           | Outdoor, pole or rail installation for bullet camera of IPC22X and IPC24X series |
| Dimensions(L × W × H) | 99mmx90mmx38mm (3.9"x3.5"x1.5")  |
| Weight                | 0.2kg(0.44lb)  |
| Material              | Galvanized sheet   |

## Dimensions



### Zhejiang Uniview Technologies Co.,Ltd.

South Tower, Building 10, Wanlun Science Park, 88 Jiangling Road, Hangzhou, P.R.China 310051

Email: [overseasbusiness@uniview.com](mailto:overseasbusiness@uniview.com); [globalsupport@uniview.com](mailto:globalsupport@uniview.com)

<http://www.uniview.com>

©2015 Zhejiang Uniview Technologies Co.,Ltd. All rights reserved.

\*Product specifications and availability are subject to change without notice.