

2MP WDR Low-light VF Network IR Bullet Camera

IPC242E-DLIR-IN



Key Features

Optics

- Lowlight surveillance
- Smart IR, up to up to 30m (98 ft) IR distance
- Up to 120 dB WDR (Wide Dynamic Range)
- Optical glass window with higher light transmittance
- IR anti-reflection window to increase the infrared transmittance

Compression

- Triple streams
- ROI (Region of Interest)
- 9:16 corridor mode
- Customized OSD

Network

- ONVIF Conformance

Structure

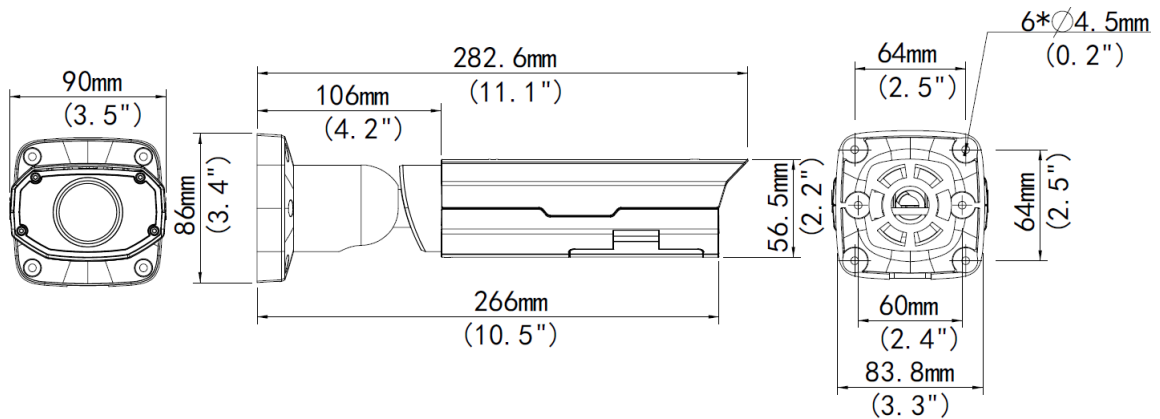
- AC 24V /DC 12 V/PoE with uninterruptible power supply
- Wide temperature range: -40°C to 60°C (-40°F to 140°F)
- Wide voltage range of $\pm 25\%$
- 6 KV surge protection designed for network interface
- IP66

Specifications

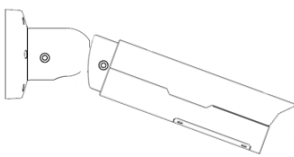
	IPC242E-DLIR-IN
Camera	
Sensor	1/2.8", 2 megapixel, progressive scan CMOS
Shutter	Auto/Manual, 1/6~1/8000 s
Lens	3 ~ 10.5 mm, F1.4
Zoom/Focus	Manual
Angle of View (H)	102.4° (wide) ~ 27.4° (tele)
Min. Illumination	Colour: 0.02 Lux (F1.4, AGC ON) 0 Lux with IR
Day/Night	IR-cut filter with auto switch (ICR)
S/N	>52dB
Wide Dynamic Range	120 dB
IR Range	Up to 30m (98 ft) IR range
Video	
Max. Resolution	1920 × 1080
Video Compression	H.264,MJPEG
Frame Rate	1080P (1920*1080): Max. 30 fps; 720P (1280*720): Max. 30 fps; D1 (720*576): Max. 25 fps
9:16 Corridor Mode	Supported
ROI(Region of Interest)	Supported
Video Streaming	Triple
OSD	Up to 8 OSDs
Privacy Mask	Up to 4 areas
Audio	
Audio Compression	G.711
Two-way audio	Supported
Storage	
Edge Storage	Micro SD, up to 128 GB
Network	
Protocols	L2TP, IPv4, IGMP, ICMP, ARP, TCP, UDP, DHCP, PPPoE, RTP, RTSP, RTCP, DNS, DDNS, NTP, FTP, UPnP, HTTP, HTTPS, SMTP, SNMP, SIP, 802.1x
Compatible Integration	ONVIF, API
Interface	
Audio I/O	3.5 mm audio interface
	Input: impedance 35 kΩ; amplitude 2 V [p-p]
	Output: impedance 600 Ω; amplitude 2 V [p-p]
Alarm I/O	2 / 1
Serial Port	1 RS485
Network	10M/100M Base-TX Ethernet
Video Output	1 BNC, impedance 75 Ω; amplitude 1 V [p-p]
General	
Power	12 V DC, 24 V AC or PoE (IEEE802.3 af)

	Power consumption: 4.5 W (11W with IR on)
Dimensions (L × W × H)	282.6 × 90 × 86 mm (11.1" × 3.5" × 3.4")
Weight	1.2 kg (2.6 lb)
Working Environment	-40°C ~ +60°C (-40°F ~ 140°F), Humidity ≤ 95% RH(non-condensing)
Ingress Protection	IP66

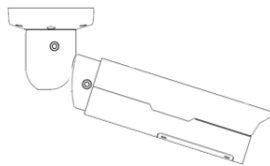
Dimensions



Installation



Wall mount



Ceiling mount

Accessories

Installation mode	Accessories	Description
Wall mount	\	Mounting pedestal is included in the Product package
Ceiling mount	\	Mounting pedestal is included in the Product package
Rail mount	TR-UP06-A-IN	For outdoor rail installation
Pole mount	TR-UP06-A-IN	For outdoor pole installation

Zhejiang Uniview Technologies Co., Ltd.

South Tower, Building 10, Wanlun Science Park, 88 Jiangling Road, Hangzhou, P.R.China 310051

Email: overseasbusiness@uniview.com; globalsupport@uniview.com

<http://www.uniview.com>

©2015 Zhejiang Uniview Technologies Co., Ltd. All rights reserved.

*Product specifications and availability are subject to change without notice.