

4MP WDR Vandal-resistant Network IR Fixed Dome Camera

IPC324ER3-DVPF28 (36) (60)



Key Features

Optics

- Day/night functionality
- Smart IR, up to 30 m (98 ft) IR distance
- Up to 120 dB WDR (Wide Dynamic Range)
- 3D DNR (Digital Noise Reduction)

Compression

- H.265, H.264, MJPEG
- Embedded smart algorithm
- ROI (Region of Interest)
- Customized OSD

Network

- ONVIF Conformance

Structure

- Wide temperature range: -35°C to 60°C (-31°F to 140°F)
- Wide input voltage range of $\pm 25\%$
- IK10 vandal resistant
- IP66

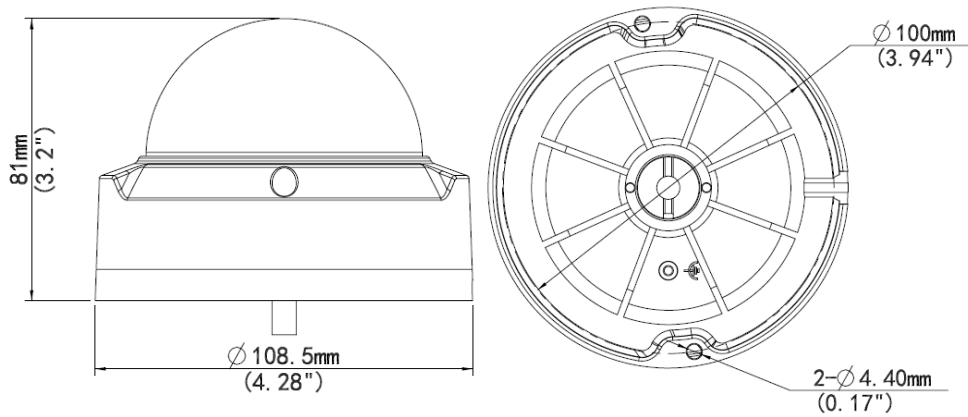
Specifications

	IPC324ER3-DVVF28	IPC324ER3-DVVF36	IPC324ER3-DVVF60
Camera			
Sensor	1/3", 4 megapixel, progressive scan CMOS		
Shutter	Auto/Manual, 1/6~1/8000 s		
Lens	2.8 mm@F2.0 Angle of view(H): 93.0°	3.6 mm@F2.0 Angle of view(H): 72.0°	6.0 mm@F2.0 Angle of view(H): 42.0°
Day/Night	IR-cut filter with auto switch (ICR)		
Min. Illumination	Colour: 0.02 Lux (F2.0, AGC ON) 0 Lux with IR		
S/N	>55 dB		
WDR	120 dB		
Video			
Max. Resolution	2592 × 1520		
Video Compression	H.265, H.264, MJPEG		
Frame Rate	4MP (2592 × 1520): Max. 20 fps; 4MP (2560 × 1440): Max. 25 fps 3MP (2048 × 1520): Max. 30 fps; 1080P (1920 × 1080): Max. 30 fps		
9:16 Corridor Mode	Supported		
ROI	Supported		
Video Streaming	Triple		
OSD	Up to 8 OSDs		
Privacy Mask	Up to 4 areas		
Smart			
Behavior Detection	Intrusion, crossing line, motion detection		
Exception Detection	Audio detection		
Intelligent Identification	Face detection		
Statistical Analysis	People counting		
Audio			
Audio Compression	G.711		
Two-way audio	Supported		
Storage			
Edge Storage	Micro SD, up to 128 GB		
Network			
Protocols	L2TP, IPv4, IGMP, ICMP, ARP, TCP, UDP, DHCP, PPPoE, RTP, RTSP, RTCP, DNS, DDNS, NTP, FTP, UPnP, HTTP, HTTPS, SMTP, SIP, 802.1x		
Compatible Integration	ONVIF, API		
Interface			
Audio I/O	Input: impedance 35 kΩ; amplitude 2 V [p-p]		
	Output: impedance 600 Ω; amplitude 2 V [p-p]		
Alarm I/O	1/ 1		
Network	10M/100M Base-TX Ethernet		

General

Power	12 V DC, or PoE (IEEE802.3 af)
	Power consumption: Max 5.5W
Dimensions (Ø x H)	Ø108.5 x 81 mm (Ø4.28" x 3.2")
Weight	0.45 kg (0.99 lb)
Working Environment	-35°C ~ +60°C (-31°F ~ 140°F), Humidity ≤ 95% RH(non-condensing)
Vandal Resistant	IK10
Ingress Protection	IP66

Dimensions



Accessories

Installation mode	Accessories	Description
Ceiling mount	Mounting pedestal is included in the Product package	\

Zhejiang Uniview Technologies Co., Ltd.

South Tower, Building 10, Wanlun Science Park, 88 Jiangling Road, Hangzhou, P.R.China 310051

Email: overseasbusiness@uniview.com; globalsupport@uniview.com

<http://www.uniview.com>

©2016 Zhejiang Uniview Technologies Co., Ltd. All rights reserved.

*Product specifications and availability are subject to change without notice.