

# 2MP WDR Starlight Vandal-resistant Fixed Dome Network Camera

IPC322ER3-DUVPF28 (40)-B



## Key Features

### Optics

- Starlight illumination
- Day/night functionality
- Smart IR, up to 30 m (98 ft) IR distance
- Up to 120 dB WDR (Wide Dynamic Range)
- 3D DNR (Digital Noise Reduction)

### Compression

- H.265, H.264, MJPEG
- Embedded smart algorithm
- Triple streams
- ROI (Region of Interest)
- Customized OSD

### Network

- ONVIF Conformance

### Structure

- Wide temperature range: -35°C to 60°C (-31°F to 140°F)
- Wide input voltage range of  $\pm 25\%$

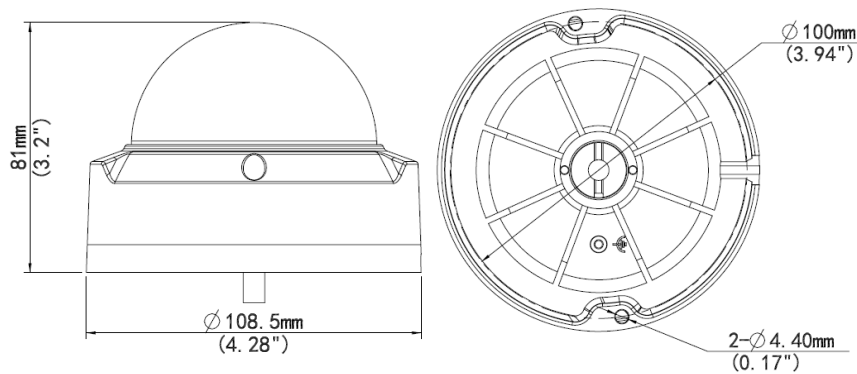
- IK10 vandal resistant
- IP66

## Specifications

	IPC322ER3-DUVPF28-B	IPC322ER3-DUVPF40-B
<b>Camera</b>		
Sensor	1/2.9", 2 megapixel, progressive scan CMOS	
Shutter	Auto/Manual, 1/6~1/100000 s	
Lens	2.8 mm@F1.6 Angle of view(H): 105.2°	4.0 mm@F1.6 Angle of view(H): 76.6°
Day/Night	IR-cut filter with auto switch (ICR)	
Min. Illumination	Colour: 0.002 Lux (F1.6, AGC ON) 0 Lux with IR	
S/N	>52 dB	
WDR	Optical WDR(up to 120dB)	
Noise Reduction	2D/3D	
<b>Video</b>		
Max. Resolution	1920 × 1080	
Video Compression	H.265, H.264, MJPEG	
Frame Rate	1080P (1920*1080): MAX. 30 fps; 720P (1280*720): MAX. 30 fps	
Video Streaming	Triple	
9:16 Corridor Mode	Supported	
ROI	Supported	
OSD	Up to 8 OSDs	
Privacy Mask	Up to 8 areas	
<b>Smart</b>		
Behavior Detection	Intrusion, crossing line, motion detection	
Exception Detection	Audio detection	
Intelligent Identification	Face detection	
Statistical Analysis	People counting	
<b>Audio</b>		
Audio Compression	G.711	
Two-way audio	Supported	
<b>Storage</b>		
Edge Storage	Micro SD, up to 128 GB	
<b>Network</b>		
Protocols	L2TP, IPv4, IGMP, ICMP, ARP, TCP, UDP, DHCP, PPPoE, RTP, RTSP, RTCP, DNS, DDNS, NTP, FTP, UPnP, HTTP, HTTPS, SMTP, SIP, 802.1x	
Compatible Integration	ONVIF, API	
<b>Interface</b>		
Audio I/O	Input: impedance 35 kΩ; amplitude 2 V [p-p]	

	Output: impedance 600 Ω; amplitude 2 V [p-p]
Alarm I/O	1/ 1
Network	10M/100M Base-TX Ethernet
<b>General</b>	
Power	12 V DC, or PoE (IEEE802.3 af)
	Power consumption: Max 5.5W
Dimensions (∅ x H)	∅108.5 x 81 mm (∅4.28" x 3.2")
Weight	0.45 kg (0.99 lb)
Working Environment	-35°C ~ +60°C (-31°F ~ 140°F), Humidity ≤ 95% RH(non-condensing)
Vandal Resistant	IK10
Ingress Protection	IP66

## Dimensions



## Accessories

Installation mode	Accessories	Description
Ceiling mount	Mounting pedestal is included in the product package	TR-JB03-B-IN junction box and TR-A01-IN waterproof joint for the junction is optional
Wall mount	TR-WM03-A	For indoor wall installation, excluding junction box
	TR-JB07/WM03-A-IN	For outdoor wall installation, including junction box
Pole mount	TR-WM03-A +TR-UP06-IN	For indoor wall installation, excluding junction box
	TR-JB07/WM03-A-IN+TR-UP06-IN	For outdoor wall installation, including junction box
Pendant mount	TR-UF45-D-IN+TR-CE45-IN	For indoor pendent installation
Tilted mounting	TR-UM06-B-IN	\

### Zhejiang Uniview Technologies Co., Ltd.

South Tower, Building 10, Wanlun Science Park, 88 Jiangling Road, Hangzhou, P.R.China 310051

Email: [overseasbusiness@uniview.com](mailto:overseasbusiness@uniview.com); [globalsupport@uniview.com](mailto:globalsupport@uniview.com)

<http://www.uniview.com>

©2016 Zhejiang Uniview Technologies Co., Ltd. All rights reserved.

\*Product specifications and availability are subject to change without notice.