

# 2MP 33X 2MP Starlight IR Dome Camera

IPC6252SR-X33U



## Key Features

### Optics

- 33X Optical Zoom
- Starlight illumination
- Accurate and fast focusing
- Smart IR, up to 200 m (656ft) IR distance
- Up to 120 dB WDR(Wide Dynamic)
- IR anti-reflection window to increase the infrared transmittance

### Compression

- H.265, H.264, MJPEG
- Embedded smart algorithm
- Triple streams
- Customized OSD

### Network

- ONVIF Conformance

## Structure

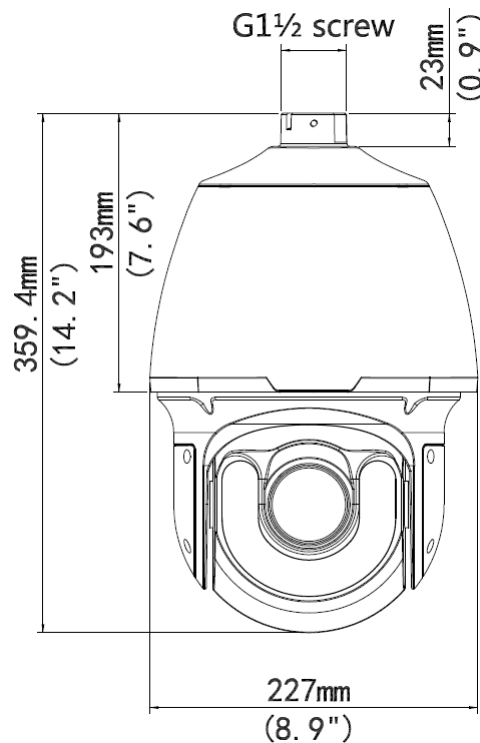
- 15° Elevation Angle
- Innovative snow-removing functionality
- More effective heat dissipation system
- Intelligent temperature control technology
- 6 KV surge protection designed for network interface

## Specifications

IPC6252SR-X33U	
<b>Camera</b>	
Sensor	1/2.8", 2megapixel, progressive scan, CMOS
Lens	4.35 ~ 1418.95 mm (33x optical zoom)
Angle of View (H)	652.4493° (wide) ~ 3.9176° (tele)
Iris	Auto/Manual; F1.6 ~ F5.3
Shutter	Auto/Manual; shutter time: 1/6 s ~ 1/100000 s
Minimum Illumination	Colour: 0.002Lux (F1.6,AGC ON) 0 Lux with IR
S/N	>52dB
WDR	120 dB
Day/Night	IR-cut filter with auto switch (ICR)
Digital Zoom	16X
<b>Video</b>	
Max. Resolution	1920 × 1080
Video Compression	H.265, H.264, MJPEG
Frame Rate	1080P (1920×1080):Max.60 fps; 1080P (1920×1080):Max.15 fps;D1 (720×576):Max.8 fps 1080P (1920×1080):Max.60 fps;720P (1280×720):Max.30 fps;D1 (720×576):Max.15 fps
Video Streaming	Triple
HLC	Supported
Evaluative Metering	Supported
OSD	Up to 8 OSDs
Privacy Mask	Up to 8 areas
Digital Zoom	Supported
<b>Smart</b>	
Behavior Detection	Intrusion, crossing line, motion detection, Auto tracking
Exception Detection	Audio detection
Intelligent Identification	Face detection
Statistical Analysis	People counting
<b>Audio</b>	
Audio Compression	G.711
Two-way audio	Supported

Storage	
Edge Storage	Micro SD, up to 128 GB
Network	
Protocols	L2TP, IPv4, IGMP, ICMP, ARP, TCP, UDP, DHCP, PPPoE, RTP, RTSP, RTCP, DNS, DDNS, NTP, FTP, UPnP, HTTP, HTTPS, SMTP, 802.1x
Compatible Integration	ONVIF, API
Pan & Tilt	
Pan Range	360° (endless)
Pan Speed	0.1°/s ~ 240°/s
	Preset speed: 300°/s
Tilt Range	-15° ~ +90° (auto reverse)
Tilt Speed	0.1° ~ 160°/s
	Preset speed: 240°/s
Number of Preset	256
Patrol	Preset patrol, route patrol, recorded patrol
Home Position	Supported
Interface	
Audio I/O	Audio cable
	Input: impedance 35 kΩ; amplitude 2 V [p-p]
	Output: impedance 600 Ω; amplitude 2 V [p-p]
Alarm I/O	2 / 1
Serial Port	1 RS485/ <a href="#">422</a>
Network	10M/100M Base-TX Ethernet
Video Output	1 BNC, impedance 75 Ω; amplitude 1 V [p-p]
General	
Power	24 V AC (Default), 24 V DC
	Power consumption: 8~52.5W
Dimensions(ØxH)	Ø227x359.4 mm (Ø8.9" x 14.2")
Weight	5.5 kg (12.1 lb)
Working Environment	-40°C ~ +70°C (-40°F ~ 158°F), Humidity ≤ 95% RH(non-condensing)
Ingress Protection	IP66

## Dimensions



## Accessories

Installation mode	Accessories	Description
Pendant mount	TR-CE45-IN bracket	/
	Pendant components: TR-UF45-A-IN ceiling plate TR-SE45-IN pendant rod (200mm) TR-SE45-A-IN pendant rod (500mm)	Ceiling plate is optional with different pendant rod for various applications
Standing pole mount	Customized bracket	The interface is designed with internal G1½ screws. The screw depth must be more than 23 mm
Wall mount	TR-WE45-IN bracket	/
Corner mount	TR-WE45-IN bracket + TR-UC08-A/B-IN bracket	/
Pole mount	TR-WE45-IN bracket + TR-UP08-A/B-IN bracket	/

### Zhejiang Uniview Technologies Co., Ltd.

Building No.10, Wanlun Science Park, Jiangling Road 88, Binjiang District, Hangzhou, Zhejiang, China (310051)

Email: [overseasbusiness@uniview.com](mailto:overseasbusiness@uniview.com); [globalsupport@uniview.com](mailto:globalsupport@uniview.com)

<http://www.uniview.com>

©2016 -2017 Zhejiang Uniview Technologies Co., Ltd. All rights reserved.

\*Product specifications and availability are subject to change without notice.