

# 4MP Fixed Dome Network Camera

IPC3614LR3-PF28 (40)



## Key Features

### Optics

- Day/night functionality
- SmartIR, up to 30 m (98 ft) IR distance
- 2D/3D DNR (Digital Noise Reduction)

### Compression

- Ultra 265, H.265, H.264, MJPEG
- Triple streams
- 9:16 corridor format

### Network

- ONVIF Conformance

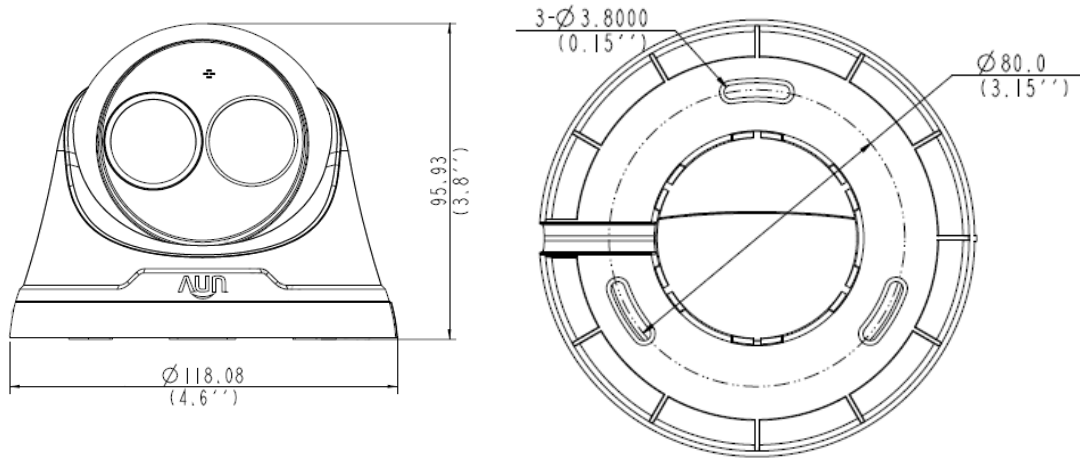
### Structure

- Wide temperature range: -20°C to 50°C (-4°F to 122°F)
- Wide voltage range of  $\pm 25\%$

## Specifications

	IPC3614LR3-PF28	IPC3614LR3-PF40
<b>Camera</b>		
Sensor	1/3", progressive scan, 4megapixel, CMOS	
Lens	2.8mm@F1.8	3.6mm@F1.8
Angle of view(H)	101.8°	73.7°
Shutter	Auto/Manual, 1/6~1/100000 s	
Minimum Illumination	Colour: 0.02 Lux (F1.8, AGC ON) 0 Lux with IR	
Day/Night	IR-cut filter with auto switch (ICR)	
Digital noise reduction	2D/3D DNR	
S/N	>52 dB	
IR Range	Up to 30m (98 ft) IR range	
Defog	Digital Defog	
WDR	DWDR	
AWB(Auto white balance)	Auto/manual	
Gain Control	Auto/manual	
<b>Video</b>		
Video Compression	Ultra 265,H.265, H.264, MJPEG	
H.264 code profile	Baseline profile, Main Profile, High Profile	
Frame Rate	Main Stream:4MP (2592×1520): Max. 20 fps, 4MP (2560×1440): Max. 25 fps, 3MP (2048×1520): Max. 30 fps; Sub Stream:2MP (1920×1080): Max. 30 fps; Third Stream:D1(720×576) : Max. 30fps	
HLC	Supported	
BLC	Supported	
9:16 Corridor Mode	Supported	
OSD	Up to 8 OSDs	
Privacy Mask	Up to 8 areas	
ROI	Up to 8 areas	
Motion Detection	Up to 4 areas	
<b>Network</b>		
Protocols	IPv4, IGMP, ICMP, ARP, TCP, UDP, DHCP, PPPoE, RTP, RTSP, RTCP, DNS, DDNS, NTP, FTP, UPnP, HTTP, HTTPS, SMTP, 802.1x	
Compatible Integration	ONVIF(Profile S, Profile G), API	
<b>Interface</b>		
Network	1 RJ45 10M/100M Base-TX Ethernet	
<b>General</b>		
Power	12 V DC±25%, PoE (IEEE802.3 af)	
	Power consumption: Max 5.0W	
Dimensions (Ø x H)	Ø118 x 96 mm (Ø4.6" x 3.8")	
Weight	0.2 kg (0.44lb)	
Operating Conditions	-20C ~ +50°C (-4°F ~ 122°F), Humidity :10%~95% RH(non-condensing)	

## Dimensions



**Zhejiang Uniview Technologies Co.,Ltd.**

South Tower, Building 10, Wanlun Science Park, 88 Jiangling Road, Hangzhou, P.R.China 310051

Email: [overseasbusiness@uniview.com](mailto:overseasbusiness@uniview.com); [globalsupport@uniview.com](mailto:globalsupport@uniview.com)

<http://www.uniview.com>

©2017 Zhejiang Uniview Technologies Co.,Ltd. All rights reserved.

\*Product specifications and availability are subject to change without notice.