

2MP WDR Starlight AF Network IR Bullet Camera

IPC262ER9-X10DU



Key Features

Optics

- Starlight illumination
- Up to 120 dB WDR(Wide Dynamic Range)
- Smart IR, up to up to 100m (328 ft) IR distance
- Optical glass window with higher light transmittance
- IR anti-reflection window to increase the infrared transmittance
- Day/night functionality

Compression

- Ultra 265,H.265, H.264, MJPEG
- Embedded smart algorithm
- Triple streams
- ROI (Region of Interest)
- 9:16 corridor mode
- Customized OSD

Network

- ONVIF Conformance

Structure

- Support PoE power supply
- Wide temperature range: -40°C to 60°C (-40°F to 140°F)

- Wide voltage range of $\pm 25\%$
- IP67

Specifications

| | |
|----------------------------|--|
| | IPC262ER9- X10DU |
| Camera | |
| Sensor | 1/2.8", progressive scan, 2.0 megapixel, CMOS |
| Lens | 4.7~47mm@F1.4; P-Iris, AF automatic focusing and motorized zoom lens |
| Angle of View (H) | 65°(wide)~ 9°(tele) |
| Shutter | Auto/Manual, 1/10~1/100,000s |
| Minimum Illumination | Colour: 0.001 Lux (F1.4, AGC ON) 0 Lux with IR |
| Day/Night | IR-cut filter with auto switch (ICR) |
| Digital noise reduction | 2D/3D DNR |
| S/N | >52dB |
| IR Range | Smart-IR ,up to 100m (328ft) IR range |
| Defog | Digital Defog |
| WDR | 120dB |
| Video | |
| Video Compression | Ultra 265,H.265, H.264, MJPEG |
| H.264 code profile | Baseline profile, Main Profile, High Profile |
| Frame Rate | Main Stream: 2MP (1920×1080): Max. 60 fps; Sub Stream: 2MP (1920×1080): Max. 60 fps; Third Stream:D1(720×576) : Max. 60fps |
| 9:16 Corridor Mode | Supported |
| HLC | Supported |
| BLC | Supported |
| OSD | Up to 8 OSDs |
| Privacy Mask | Up to 8 areas |
| ROI | Up to 8 areas |
| Motion Detection | Up to 4 areas |
| Smart | |
| Behavior Detection | Intrusion, cross line, motion detection |
| Exception Detection | Audio detection |
| Intelligent Identification | Face detection, Defocus, Scene Change |
| Statistical Analysis | People counting |
| General Function | Watermark, IP Address Filtering, Tampering Alarm, Alarm input, Alarm output, Access Policy, ARP Protection, RTSP Authentication, User Authentication |
| Audio | |
| Audio Compression | G.711 |
| Two-way audio | Supported |
| Suppression | Supported |
| Sampling Rate | 8 KHZ |

Storage

| | |
|-----------------|------------------------|
| Edge Storage | Micro SD, Up to 128 GB |
| Network Storage | ANR |

Network

| | |
|------------------------|---|
| Protocols | IPv4, IGMP, ICMP, ARP, TCP, UDP, DHCP, PPPoE, RTP, RTSP, RTCP, DNS, DDNS, NTP, FTP, UPnP, HTTP, HTTPS, SMTP, 802.1x, SNMP |
| Compatible Integration | ONVIF(Profile S, Profile G), API |

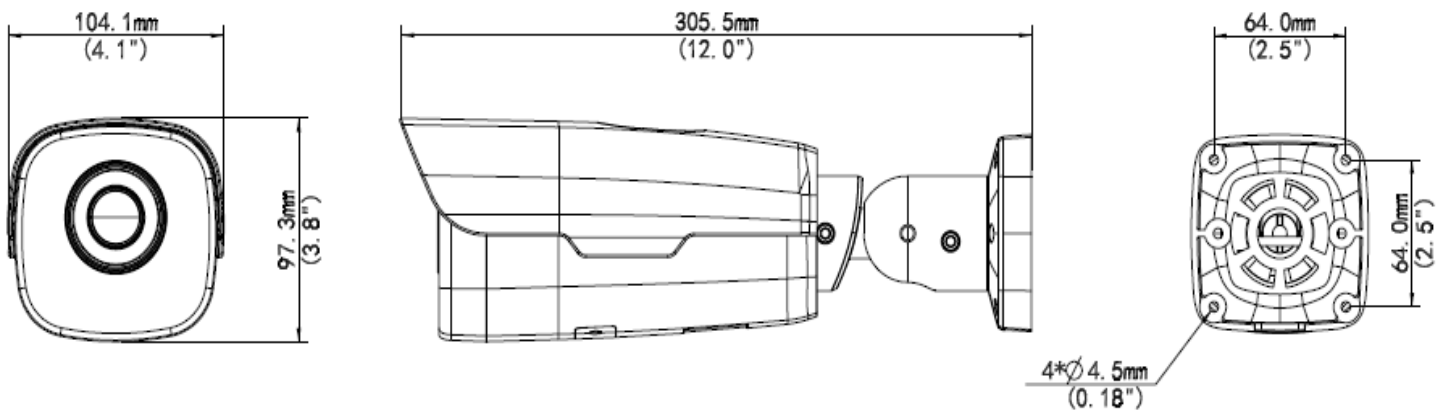
Interface

| | |
|--------------|--|
| Audio I/O | Audio cable |
| | 1 Input: impedance 35 kΩ; amplitude 2 V [p-p] |
| | 1 Output: impedance 600 Ω; amplitude 2 V [p-p] |
| Alarm I/O | 2 / 1 |
| Serial Port | 1 RS485 |
| Network | 1 RJ45 10M/100M Base-TX Ethernet |
| Video Output | 1 BNC, impedance 75 Ω; amplitude 1 V [p-p] |

General

| | |
|------------------------|--|
| Power | DC12V ± 25%, AC24V ± 25% ,PoE (IEEE802.3 at) |
| | Power consumption: 13.7W |
| Dimensions (L × W × H) | 305.5 × 104.1 × 97.3mm (12.0" × 4.1" × 3.8") |
| Weight | 1.65 kg (3.6 lb) |
| Working Environment | -40°C ~ +60°C (-40°F ~ 140°F), Humidity:10%~95% RH(non-condensing) |
| Ingress Protection | IP67 |
| Reset Button | Supported |

Dimensions



Accessories

| Installation mode | Accessories | Description |
|-------------------|-------------|--|
| Wall mount | \ | Mounting pedestal is included in the Product package |
| Ceiling mount | \ | Mounting pedestal is included in the Product package |

| Installation mode | Accessories | Description |
|-------------------|--------------|-------------------------------|
| Rail mount | TR-UP06-A-IN | For outdoor rail installation |
| Pole mount | TR-UP06-A-IN | For outdoor pole installation |

Zhejiang Uniview Technologies Co., Ltd.

South Tower, Building 10, Wanlun Science Park, 88 Jiangling Road, Hangzhou, P.R.China 310051

Email: overseasbusiness@uniview.com; globalsupport@uniview.com

<http://www.uniview.com>

©2016-2017 Zhejiang Uniview Technologies Co., Ltd. All rights reserved.

*Product specifications and availability are subject to change without notice.