

# 5MP WDR Starlight (Motorized) VF Vandal-resistant Network IR Fixed Dome Camera

IPC3235ER3-DUVZ



## Key Features

### Optics

- Starlight illumination
- Day/night functionality
- Smart IR, up to 30m (98 ft) IR distance
- Up to 120 dB Optical WDR(Wide Dynamic Range)
- 2D/3D DNR (Digital Noise Reduction)
- Built-in motorized lens for remote zoom

### Compression

- Ultra 265, H.265, H.264, MJPEG
- Embedded smart algorithm
- Triple streams
- ROI (Region of Interest)
- 9:16 corridor mode

### Network

- ONVIF Conformance

### Structure

- Support PoE power supply
- Built-in PoE splitter that outputs DC 12V
- Wide temperature range: -40°C to 60°C (-40°F to 140°F)

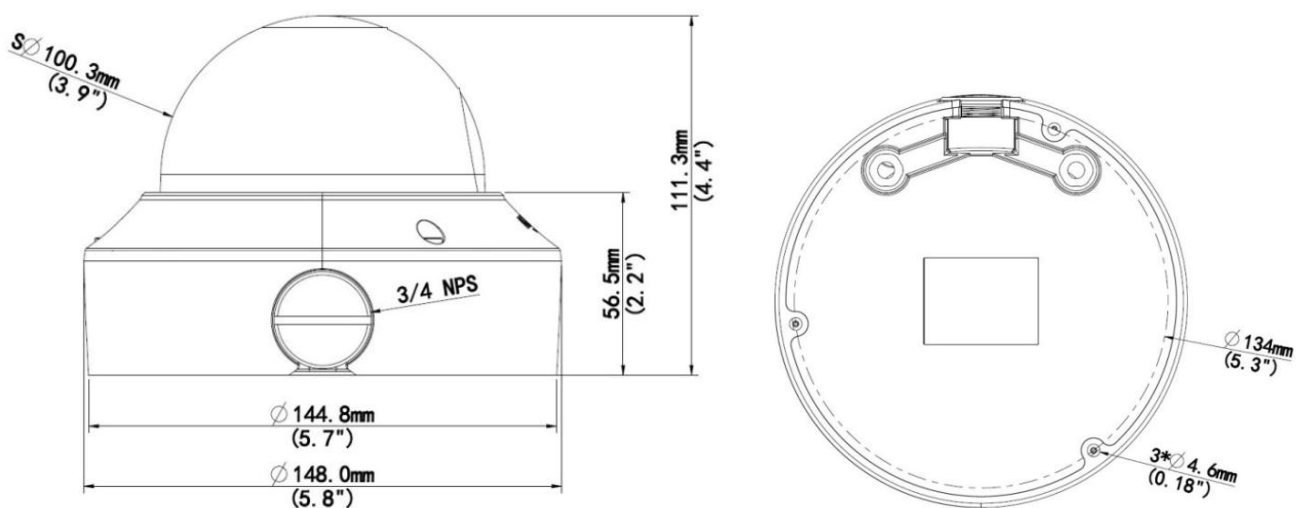
- Wide voltage range of  $\pm 25\%$
- IK10 vandal resistant
- IP67

## Specifications

|                            |   |
|----------------------------|---|
|                            | IPC3235ER3-DUVZ   |
| <b>Camera</b>              |   |
| Sensor                     | 1/2.7", progressive scan ,5.0 megapixel, CMOS   |
| Lens                       | 2.7~13.5mm , AF automatic focusing and motorized zoom lens  |
| Angle of View (H)          | 104.2°~ 28.3°(H)  |
| Shutter                    | Auto/Manual, shutter time: 1~1/100000 s   |
| Minimum Illumination       | Colour: 0.001 Lux (F1.2, AGC ON)<br>0 Lux with IR   |
| Day/Night                  | IR-cut filter with auto switch (ICR)  |
| Digital noise reduction    | 2D/3D DNR   |
| S/N                        | >52dB   |
| IR Range                   | Up to 30m (98 ft) IR range  |
| Defog                      | Digital Defog   |
| WDR                        | 120dB   |
| <b>Video</b>               |   |
| Video Compression          | Ultra 265,H.265, H.264, MJPEG   |
| H.264 code profile         | Baseline profile, Main Profile, High Profile  |
| Frame Rate                 | Main Stream: 5MP(2592 x 1944): Max. 20 fps, 4MP(2560 x 1440): Max. 30 fps, 3MP(2048x 1536): Max. 30 fps, 2MP(1920 x 1080): Max. 30 fps;<br>Sub Stream:2MP(1920 x 1080): Max. 30 fps;<br>Third Stream: D1(720 x 576): Max.3 0 fps; |
| 9:16 Corridor Mode         | Supported   |
| HLC                        | Supported   |
| BLC                        | Supported   |
| OSD                        | Up to 8 OSDs  |
| Privacy Mask               | Up to 8 areas   |
| ROI                        | Up to 8 areas   |
| Motion Detection           | Up to 4 areas   |
| <b>Smart</b>               |   |
| Behavior Detection         | Intrusion, cross line, motion detection   |
| Exception Detection        | Audio detection   |
| Intelligent Identification | Face detection, Defocus, Scene Change   |
| Statistical Analysis       | People counting   |
| General Function           | Watermark, IP Address Filtering, Tampering Alarm, Alarm input, Alarm output, Access Policy, ARP Protection, RTSP Authentication, User Authentication  |
| <b>Audio</b>               |   |
| Audio Compression          | G.711   |
| Two-way audio              | Supported   |

|                                 |   |
|---------------------------------|---|
| Suppression                     | Supported   |
| Sampling Rate                   | 8 KHZ   |
| <b>Storage</b>                  |   |
| Edge Storage                    | Micro SD, up to 128 GB  |
| Network Storage                 | ANR   |
| <b>Network</b>                  |   |
| Protocols                       | IPv4, IGMP, ICMP, ARP, TCP, UDP, DHCP, PPPoE, RTP, RTSP, RTCP, DNS, DDNS, NTP, FTP, UPnP, HTTP, HTTPS, SMTP, 802.1x, SNMP |
| Compatible Integration          | ONVIF(Profile S, Profile G), API  |
| <b>Interface</b>                |   |
| Audio I/O                       | Audio cable   |
|                                 | Input: impedance 35 k $\Omega$ ; amplitude 2 V [p-p]  |
|                                 | Output: impedance 600 $\Omega$ ; amplitude 2 V [p-p]  |
| Alarm I/O                       | 1/ 1  |
| Network                         | 1 RJ45 10M/100M Base-TX Ethernet  |
| Video Output                    | 1 BNC, impedance 75 $\Omega$ ; amplitude 1 V [p-p]  |
| <b>General</b>                  |   |
| Power                           | 12 V DC $\pm$ 25%, PoE (IEEE802.3 af)   |
|                                 | Power consumption: Max.8.7W   |
| Dimensions ( $\varnothing$ x H) | $\varnothing$ 148 x 111.3 mm ( $\varnothing$ 5.8" x 4.4")   |
| Weight                          | 0.75 kg (1.7 lb)  |
| Working Environment             | -40°C ~ +60°C (-40°F ~ 140°F), Humidity $\leq$ 95% RH(non-condensing)   |
| Ingress Protection              | IP67  |
| Vandal Resistant                | IK10  |
| Reset Button                    | Supported   |

## Dimensions



## Accessories

| Installation mode    | Accessories                               | Description  |
|----------------------|---|--|
| Wall mount           | TR-WM04-IN+TR-UP06-IN                     | For indoor wall installation, including junction box   |
|                      | TR-FM152-A-IN                             | For in-ceiling installation, including junction box  |
|                      | TR-JB07/WM04-IN (Or TR-JB07/WM04-A-IN)    | For outdoor wall installation, including junction box<br>TR-A01-IN waterproof joint for the junction is optional |
|                      | TR-JB07/WM04-IN (Or WM04-A-IN)+TR-UP06-IN | For outdoor wall installation, including junction box  |
| Pendant mount        | TR-UF45-E-IN+ TR-CE45-IN                  | For indoor pendent installation  |
| Electric box adaptor | TR-SM04-IN                                | \  |

### Zhejiang Uniview Technologies Co., Ltd.

Building No.10, Wanlun Science Park, Jiangling Road 88, Binjiang District, Hangzhou, Zhejiang, China (310051)

Email: [overseasbusiness@uniview.com](mailto:overseasbusiness@uniview.com); [globalsupport@uniview.com](mailto:globalsupport@uniview.com)

<http://www.uniview.com>

©2017 Zhejiang Uniview Technologies Co., Ltd. All rights reserved.

\*Product specifications and availability are subject to change without notice.