

# 2MP WDR Starlight AF Network IR Bullet Camera

IPC262ER9-X10DU



## Key Features

### Optics

- Starlight illumination
- Up to 120 dB WDR(Wide Dynamic Range)
- Smart IR, up to up to 100m (328 ft) IR distance
- Optical glass window with higher light transmittance
- IR anti-reflection window to increase the infrared transmittance
- Day/night functionality

### Compression

- Ultra 265,H.265, H.264, MJPEG
- Embedded smart algorithm
- Triple streams
- ROI (Region of Interest)
- 9:16 corridor mode
- Customized OSD

### Network

- ONVIF Conformance

### Structure

- Support PoE power supply
- Wide temperature range: -40°C to 60°C (-40°F to 140°F)

- Wide voltage range of  $\pm 25\%$
- IP67

## Specifications

	IPC262ER9- X10DU
<b>Camera</b>	
Sensor	1/2.8", progressive scan, 2.0 megapixel, CMOS
Lens	4.7~47mm@F1.4; P-Iris, AF automatic focusing and motorized zoom lens
Angle of View (H)	65°(wide)~ 9°(tele)
Shutter	Auto/Manual, 1/10~1/100,000s
Minimum Illumination	Colour: 0.001 Lux (F1.4, AGC ON) 0 Lux with IR
Day/Night	IR-cut filter with auto switch (ICR)
Digital noise reduction	2D/3D DNR
S/N	>52dB
IR Range	Smart-IR ,up to 100m (328ft) IR range
Defog	Digital Defog
WDR	120dB
<b>Video</b>	
Video Compression	Ultra 265,H.265, H.264, MJPEG
H.264 code profile	Baseline profile, Main Profile, High Profile
Frame Rate	Main Stream: 2MP (1920×1080): Max. 30 fps; Sub Stream: 2MP (1920×1080): Max. 30 fps; Third Stream:D1(720×576) : Max. 30fps
9:16 Corridor Mode	Supported
HLC	Supported
BLC	Supported
OSD	Up to 8 OSDs
Privacy Mask	Up to 8 areas
ROI	Up to 8 areas
Motion Detection	Up to 4 areas
<b>Smart</b>	
Behavior Detection	Intrusion, cross line, motion detection
Exception Detection	Audio detection
Intelligent Identification	Face detection, Defocus, Scene Change
Statistical Analysis	People counting
General Function	Watermark, IP Address Filtering, Tampering Alarm, Alarm input, Alarm output, Access Policy, ARP Protection, RTSP Authentication, User Authentication
<b>Audio</b>	
Audio Compression	G.711
Two-way audio	Supported
Suppression	Supported
Sampling Rate	8 KHZ

**Storage**

Edge Storage	Micro SD, Up to 128 GB
Network Storage	ANR

**Network**

Protocols	IPv4, IGMP, ICMP, ARP, TCP, UDP, DHCP, PPPoE, RTP, RTSP, RTCP, DNS, DDNS, NTP, FTP, UPnP, HTTP, HTTPS, SMTP, 802.1x, SNMP
Compatible Integration	ONVIF(Profile S, Profile G), API

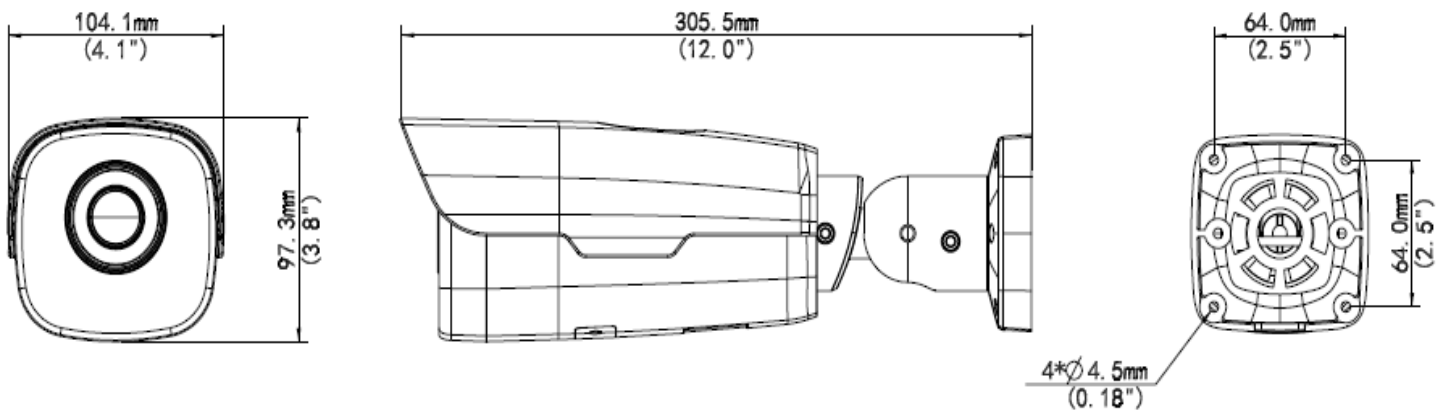
**Interface**

Audio I/O	Audio cable
	1 Input: impedance 35 kΩ; amplitude 2 V [p-p]
	1 Output: impedance 600 Ω; amplitude 2 V [p-p]
Alarm I/O	2 / 1
Serial Port	1 RS485
Network	1 RJ45 10M/100M Base-TX Ethernet
Video Output	1 BNC, impedance 75 Ω; amplitude 1 V [p-p]

**General**

Power	DC12V ± 25%, AC24V ± 25% ,PoE (IEEE802.3 at)
	Power consumption: 13.7W
Dimensions (L × W × H)	305.5 × 104.1 × 97.3mm (12.0" × 4.1" × 3.8")
Weight	1.65 kg (3.6 lb)
Working Environment	-40°C ~ +60°C (-40°F ~ 140°F), Humidity:10%~95% RH(non-condensing)
Ingress Protection	IP67
Reset Button	Supported

## Dimensions



## Accessories

Installation mode	Accessories	Description
Wall mount	\	Mounting pedestal is included in the Product package
Ceiling mount	\	Mounting pedestal is included in the Product package

Installation mode	Accessories	Description
Rail mount	TR-UP06-A-IN	For outdoor rail installation
Pole mount	TR-UP06-A-IN	For outdoor pole installation

**Zhejiang Uniview Technologies Co., Ltd.**

South Tower, Building 10, Wanlun Science Park, 88 Jiangling Road, Hangzhou, P.R.China 310051

Email: [overseasbusiness@uniview.com](mailto:overseasbusiness@uniview.com); [globalsupport@uniview.com](mailto:globalsupport@uniview.com)

<http://www.uniview.com>

©2016-2017 Zhejiang Uniview Technologies Co., Ltd. All rights reserved.

\*Product specifications and availability are subject to change without notice.