

2MP Fixed Dome Network Camera

IPC3612LR3-PF28 (40)-C



Key Features

Optics

- Day/night functionality
- Smart IR, up to 30 m (98 ft) IR distance
- 2D/3D DNR (Digital Noise Reduction)

Compression

- Ultra 265, H.265, H.264, MJPEG
- Triple streams

Network

- ONVIF Conformance

Structure

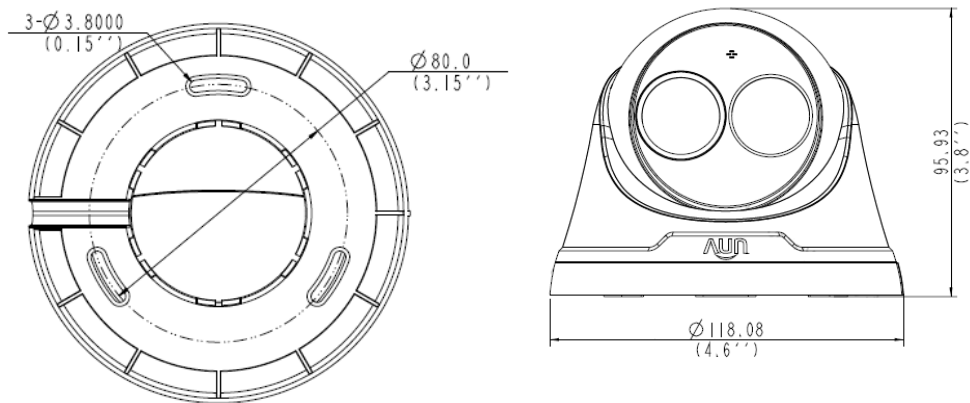
- Wide temperature range: -20°C to 50°C (-4°F to 122°F)
- Wide voltage range of ±25%

Specifications

| | IPC3612LR3-PF28-C | IPC3612LR3-PF40-C |
|------------------|--|-------------------|
| Camera | | |
| Sensor | 1/2.7", progressive scan, 2megapixel, CMOS | |
| Lens | 2.8mm@F1.8 | 4.0mm@F1.8 |
| Angle of view(H) | 105.2° | 76.6° |

| | |
|-------------------------|---|
| Shutter | Auto/Manual, 1/6~1/100000 s |
| Minimum Illumination | Colour: 0.02 Lux (F1.8, AGC ON) 0 Lux with IR |
| Day/Night | IR-cut filter with auto switch (ICR) |
| Digital noise reduction | 2D/3D DNR |
| S/N | >52dB |
| IR Range | Up to 30m (98 ft) IR range |
| Defog | Digital Defog |
| WDR | DWDR |
| Video | |
| Video Compression | Ultra 265,H.265, H.264, MJPEG |
| H.264 code profile | Baseline profile, Main Profile, High Profile |
| Frame Rate | Main Stream: 2MP (1920×1080): Max. 25 fps; Sub Stream:720P (1280×720): Max. 25 fps; Third Stream:D1(720×576) : Max. 25fps |
| HLC | Supported |
| BLC | Supported |
| OSD | Up to 8 OSDs |
| Privacy Mask | Up to 8 areas |
| ROI | Up to 8 areas |
| Motion Detection | Up to 4 areas |
| Network | |
| Protocols | IPv4, IGMP, ICMP, ARP, TCP, UDP, DHCP, PPPoE, RTP, RTSP, RTCP, DNS, DDNS, NTP, FTP, UPnP, HTTP, HTTPS, SMTP |
| Compatible Integration | ONVIF(Profile S), API |
| Interface | |
| Network | 1 RJ45 10M/100M Base-TX Ethernet |
| General | |
| Power | 12 V DC±25%, PoE (IEEE802.3 af) |
| | Power consumption: Max 5.0W |
| Dimensions (Ø x H) | Φ118 x 96 mm (Ø4.6" x 3.8") |
| Weight | 0.2 kg (0.44lb) |
| Working Environment | -20°C ~ +50°C (-4°F ~ 122°F), Humidity :10%~95% RH(non-condensing) |

Dimensions



Zhejiang Uniview Technologies Co., Ltd.

South Tower, Building 10, Wanlun Science Park, 88 Jiangling Road, Hangzhou, P.R.China 310051

Email: overseasbusiness@uniview.com; globalsupport@uniview.com

<http://www.uniview.com>

©2017 Zhejiang Uniview Technologies Co., Ltd. All rights reserved.

*Product specifications and availability are subject to change without notice.