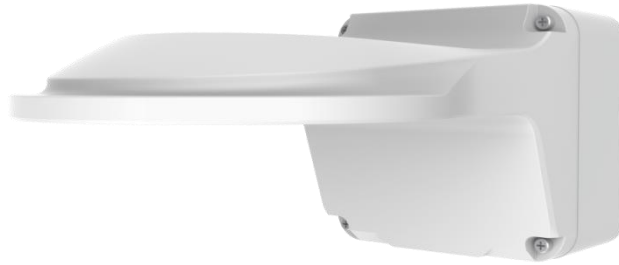


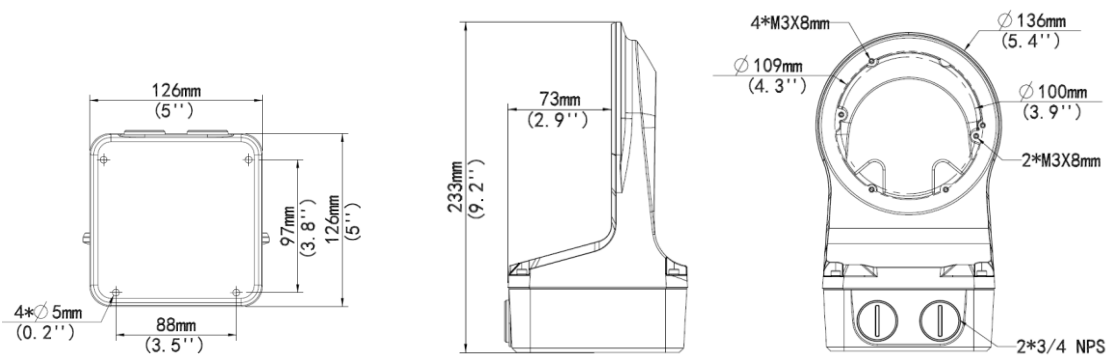
# TR-JB07/WM03-A-IN 3-inch Fixed Dome Mount



## Specifications

Bracket	TR-JB07/WM03-A-IN
Application	Wall installation for 3-inch fixed dome
Dimensions	233mmx126mmx126mm (9.2" x5" x5")
Weight	0.9kg(1.98lb)
Material	Aluminum alloy

## Dimensions



### Zhejiang Uniview Technologies Co.,Ltd.

South Tower, Building 10, Wanlun Science Park, 88 Jiangling Road, Hangzhou, P.R.China 310051

Email: [overseasbusiness@uniview.com](mailto:overseasbusiness@uniview.com); [globalsupport@uniview.com](mailto:globalsupport@uniview.com)

<http://www.uniview.com>

©2017 Zhejiang Uniview Technologies Co.,Ltd. All rights reserved.

\*Product specifications and availability are subject to change without notice.