

22X IR Network PTZ Dome Camera

IPC6322SR(LR)-X22(P)-C



Key Features

Optics

- 22X Optical Zoom
- Fifth-generation infrared technology, more than 150m (492ft) IR distance
- IR anti-reflection window to increase the infrared transmittance
- Optical glass window with higher light transmittance
- Smart IR
- EIS (Electronic Image Stabilization)

Compression

- Ultra 265, H.265, H.264, MJPEG
- Embedded smart algorithm
- Triple streams
- Customized OSD

Network

- ONVIF Conformance

Structure

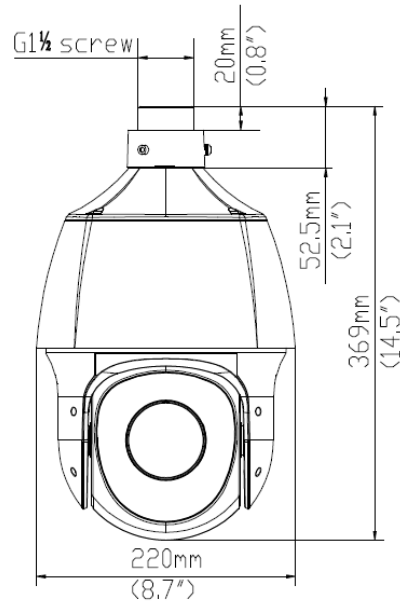
- Intelligent temperature control technology
- More effective heat dissipation system
- 6 KV surge protection designed for network interface
- IP66

Specifications

| | IPC6322LR-X22-C | IPC6322SR-X22P-C |
|----------------------------|--|------------------|
| Camera | | |
| Sensor | 1/2.9" progressive scan, 2.0 megapixel, CMOS | |
| Lens | 5.2~ 114.4 mm (22x optical zoom) , AF automatic focusing and motorized zoom lens | |
| Angle of View (H) | 54.40° (wide) ~ 3.44° (tele) | |
| Shutter | Auto/Manual, shutter time: 1/6 s ~ 1/100000 s | |
| Minimum Illumination | Colour: 0.01 lux (F1.5,AGC ON) 0 lux with IR | |
| Iris | F1.5 | |
| Day/Night | IR-cut filter with auto switch (ICR) | |
| Digital noise reduction | 2D/3D DNR | |
| S/N | >55 dB | |
| IR Range | UP to 150m (492ft) | |
| Defog | Digital Defog | |
| WDR | DWDR | |
| Video | | |
| Video Compression | Ultra 265,H.265, H.264, MJPEG | |
| H.264 code profile | Baseline profile, Main Profile, High Profile | |
| Frame Rate | Main Stream:2MP (1920×1080):Max. 30 fps; Sub Stream:2MP (1920×1080):Max. 30 fps; Third Stream: D1 (720×576): Max. 30 fps | |
| HLC | Supported | |
| BLC | Supported | |
| EIS | Supported | |
| OSD | Up to 8 OSDs | |
| Privacy Mask | Up to 24 areas | |
| ROI | Up to 8 areas | |
| Motion Detection | Up to 4 areas | |
| Smart | | |
| Behavior Detection | Intrusion, cross line, motion detection | |
| Exception Detection | N/A | Audio detection |
| Intelligent Identification | Face detection | |
| Statistical Analysis | People counting | |

| | | |
|------------------------|---|--|
| General Function | Watermark, IP Address Filtering, Tampering Alarm, Access Policy, ARP Protection, RTSP Authentication, User Authentication | Watermark, IP Address Filtering, Tampering Alarm, Alarm input, Alarm output, Access Policy, ARP Protection, RTSP Authentication, User Authentication |
| Audio | | |
| Audio Compression | N/A | G.711 |
| Two-way Audio | N/A | Supported |
| Suppression | N/A | Supported |
| Sampling Rate | N/A | 8 KHZ |
| Storage | | |
| Edge Storage | Micro SD, up to 128 GB | |
| Network Storage | ANR | |
| Network | | |
| Protocols | IPv4, IGMP, ICMP, ARP, TCP, UDP, DHCP, PPPoE, RTP, RTSP, RTCP, DNS, DDNS, NTP, FTP, UPnP, HTTP, HTTPS, SMTP, 802.1x, SNMP | |
| Compatible Integration | ONVIF(Profile S, Profile G), API | |
| Pan & Tilt | | |
| Pan Range | 360° | |
| Pan Speed | 0.1°/s ~ 240°/s | |
| | Preset speed: 300°/s | |
| Tilt Range | -15° ~ +90° (auto reverse) | |
| Tilt Speed | 0.1° ~ 80°/s | |
| | Preset speed: 80°/s | |
| Number of Presets | 1024 | |
| Patrol | Preset patrol, route patrol, recorded patrol | |
| Home Position | Supported | |
| Interface | | |
| Audio I/O | N/A | 1 Input: impedance 35 kΩ; amplitude 2 V [p-p] |
| | N/A | 1 Output: impedance 600 Ω; amplitude 2 V [p-p] |
| Alarm I/O | N/A | 1/ 1 |
| Network | 1 RJ45 10M/100M Base-TX Ethernet | 1 RJ45 10M/100M Base-TX Ethernet |
| General | | |
| Power | DC 12V±10% | DC 12V±10%, PoE (PSE Required) |
| | Power consumption: 16~30 W | |
| Dimensions (Ø x H) | Φ215mm×344mm(Φ8.5" x13.5") | |
| Weight | 3kg(6.6lb) | |
| Working Environment | -40°C ~ +65°C (-40°F ~ 149°F), Humidity:10%~90% RH(non-condensing) | |
| Ingress Protection | IP66 | |
| Reset Button | Supported | |

Dimensions



Accessories

| Installation mode | Accessories | Description |
|---------------------|---|--|
| Pendant mount | TR-CE45-IN bracket | / |
| | Pendant components: TR-UF45-A-IN ceiling plate TR-SE45-IN pendant rod (200mm) TR-SE45-A-IN pendant rod (500mm) | Ceiling plate is optional with different pendant rod for various applications |
| Standing pole mount | Customized bracket | The interface is designed with internal G1½ screws. The screw depth must be more than 23 mm |
| Wall mount | TR-WE45-IN bracket | / |
| Corner mount | TR-WE45-IN bracket + TR-UC08-A-IN bracket | / |
| Pole mount | TR-WE45-IN bracket + TR-UP08-A-IN bracket | / |
| PoE Power | Accessories | Description |
| PSE Adapter | PWR-DC5611-P | PSE Adapter (60W) configuration is needed. |

Zhejiang Uniview Technologies Co., Ltd.

South Tower, Building 10, Wanlun Science Park, 88 Jiangling Road, Hangzhou, P.R.China 310051

Email: overseasbusiness@uniview.com; globalsupport@uniview.com

<http://www.uniview.com>

©2018 Zhejiang Uniview Technologies Co., Ltd. All rights reserved.

*Product specifications and availability are subject to change without notice.