

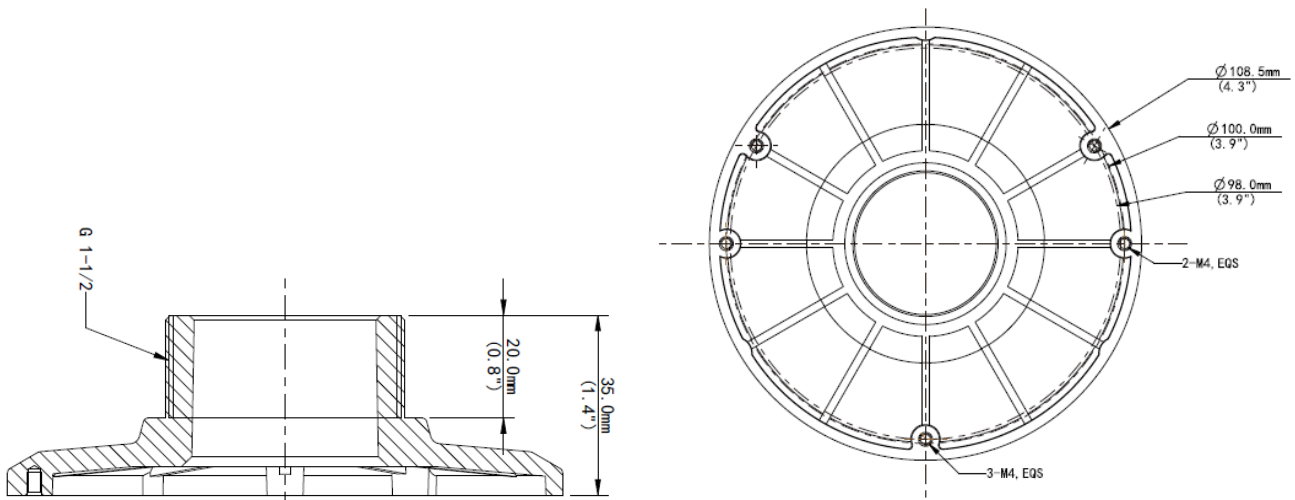
# TR-UF45-J-IN 3 Inch Fixed Dome Plate Mount



## Specifications

Bracket	TR-UF45-J-IN
Application	Indoor, wall or pendant installation for IPC32X series
Dimensions	Φ108.5mmx35mm(Φ4.3" x1.4")
Weight	180g(0.39lb)
Material	Aluminum alloy

## Dimensions



### Zhejiang Uniview Technologies Co.,Ltd.

South Tower, Building 10, Wanlun Science Park, 88 Jiangling Road, Hangzhou, P.R.China 310051

Email: [overseasbusiness@uniview.com](mailto:overseasbusiness@uniview.com); [globalsupport@uniview.com](mailto:globalsupport@uniview.com)

<http://www.uniview.com>

©2015 Zhejiang Uniview Technologies Co.,Ltd. All rights reserved.

\*Product specifications and availability are subject to change without notice.