

22XIRNetwork PTZ Dome Camera

IPC6322SR(LR)-X22(P)-C



Key Features

Optics

- 22X Optical Zoom
- Fifth-generation infrared technology, more than 150m (492ft) IR distance
- IR anti-reflection window to increase the infrared transmittance
- Optical glass window with higher light transmittance
- Smart IR
- EIS (Electronic Image Stabilization)

Compression

- Ultra 265, H.265, H.264, MJPEG
- Embedded smart algorithm
- Triple streams
- Customized OSD

Network

- ONVIF Conformance

Structure

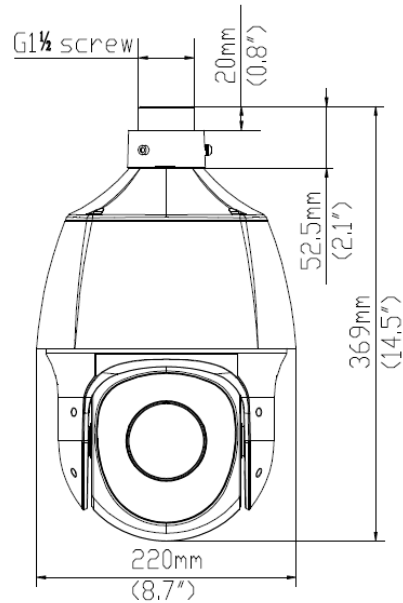
- Intelligent temperature control technology
- More effective heat dissipation system
- 6 KV surge protection designed for network interface
- IP66

Specifications

	IPC6322LR-X22-C	IPC6322SR-X22P-C
Camera		
Sensor	1/2.9" progressive scan, 2.0megapixel, CMOS	
Lens	5.2~ 114.4 mm (22x optical zoom) , AF automatic focusing and motorized zoom lens	
Angle of View (H)	54.40° (wide) ~ 3.44° (tele)	
Shutter	Auto/Manual, shutter time: 1/6 s ~ 1/100000 s	
Minimum Illumination	Colour: 0.01 lux (F1.5,AGC ON) 0 lux with IR	
Iris	F1.5	
Day/Night	IR-cut filter with auto switch (ICR)	
Digital noise reduction	2D/3D DNR	
S/N	>55 dB	
IR Range	UP to 150m (492ft)	
Defog	Digital Defog	
WDR	DWDR	
Video		
Video Compression	Ultra 265,H.265, H.264, MJPEG	
H.264 code profile	Baseline profile, Main Profile, High Profile	
Frame Rate	Main Stream:2MP (1920×1080):Max. 30 fps; Sub Stream:2MP (1920×1080):Max. 30 fps; Third Stream: D1 (720×576): Max. 30 fps	
HLC	Supported	
BLC	Supported	
EIS	Supported	
OSD	Up to 8 OSDs	
Privacy Mask	Up to 24 areas	
ROI	Up to 8 areas	
Motion Detection	Up to 4 areas	
Smart		
Behavior Detection	Intrusion, cross line, motion detection	
Exception Detection	N/A	Audio detection
Intelligent Identification	Face detection	
Statistical Analysis	People counting	

General Function	Watermark, IP Address Filtering, Tampering Alarm, Access Policy, ARP Protection, RTSP Authentication, User Authentication	Watermark, IP Address Filtering, Tampering Alarm, Alarm input, Alarm output, Access Policy, ARP Protection, RTSP Authentication, User Authentication
Audio		
Audio Compression	N/A	G.711
Two-way Audio	N/A	Supported
Suppression	N/A	Supported
Sampling Rate	N/A	8 KHZ
Storage		
Edge Storage	Micro SD, up to 128 GB	
Network Storage	ANR	
Network		
Protocols	IPv4, IGMP, ICMP, ARP, TCP, UDP, DHCP, PPPoE, RTP, RTSP, RTCP, DNS, DDNS, NTP, FTP, UPnP, HTTP, HTTPS, SMTP, 802.1x, SNMP, SSL, TLS	
Compatible Integration	ONVIF(Profile S, Profile G), API	
Pan & Tilt		
Pan Range	360°	
Pan Speed	0.1°/s ~ 240°/s	
	Preset speed: 300°/s	
Tilt Range	-15° ~ +90° (auto reverse)	
Tilt Speed	0.1° ~ 80°/s	
	Preset speed: 80°/s	
Number of Presets	1024	
Patrol	Preset patrol, route patrol, recorded patrol	
Home Position	Supported	
Interface		
Audio I/O	N/A	1 Input: impedance 35 kΩ; amplitude 2 V [p-p]
	N/A	1 Output: impedance 600 Ω; amplitude 2 V [p-p]
Alarm I/O	N/A	1/ 1
Network	1 RJ45 10M/100M Base-TX Ethernet	1 RJ45 10M/100M Base-TX Ethernet
General		
Power	DC 12V±10%	DC 12V±10%, PoE (PSE Required)
	Power consumption: 16~30 W	
Dimensions (Ø x H)	Φ215mm×344mm(Φ8.5" x13.5")	
Weight	3kg(6.6lb)	
Working Environment	-40°C ~ +65°C (-40°F ~ 149°F), Humidity:10%~90% RH(non-condensing)	
Ingress Protection	IP66	
Reset Button	Supported	

Dimensions



Accessories

Installation mode	Accessories	Description
Pendant mount	TR-CE45-IN bracket	/
	Pendant components: TR-UF45-A-IN ceiling plate TR-SE45-IN pendant rod (200mm) TR-SE45-A-IN pendant rod (500mm)	Ceiling plate is optional with different pendant rod for various applications
Standing pole mount	Customized bracket	The interface is designed with internal G1½ screws. The screw depth must be more than 23 mm
Wall mount	TR-WE45-IN bracket	/
Corner mount	TR-WE45-IN bracket + TR-UC08-A-IN bracket	/
Pole mount	TR-WE45-IN bracket + TR-UP08-A-IN bracket	/
PoE Power	Accessories	Description
PSE Adapter	PWR-DC5611-P	PSE Adapter (60W) configuration is needed.

Zhejiang Uniview Technologies Co., Ltd.

South Tower, Building 10, Wanlun Science Park, 88 Jiangling Road, Hangzhou, P.R.China 310051

Email: overseasbusiness@uniview.com; globalsupport@uniview.com

<http://www.uniview.com>

©2018 Zhejiang Uniview Technologies Co., Ltd. All rights reserved.

*Product specifications and availability are subject to change without notice.