

5MP WDR Starlight (Motorized) VF Network IR Bullet Camera

IPC2325EBR5-DUPZ



Key Features

Optics

- Starlight illumination
- Day/night functionality
- Smart IR, up to 50m (164 ft) IR distance
- Up to 120 dB Optical WDR (Wide Dynamic Range)
- 2D/3D DNR (Digital Noise Reduction)

Compression

- Ultra 265, H.265, H.264, MJPEG
- Embedded smart algorithm
- Triple streams
- ROI (Region of Interest)
- 9:16 corridor mode
- Customized OSD

Network

- ONVIF Conformance

Structure

- Support PoE power supply
- Wide temperature range: -35°C to 60°C (-31°F to 140°F)

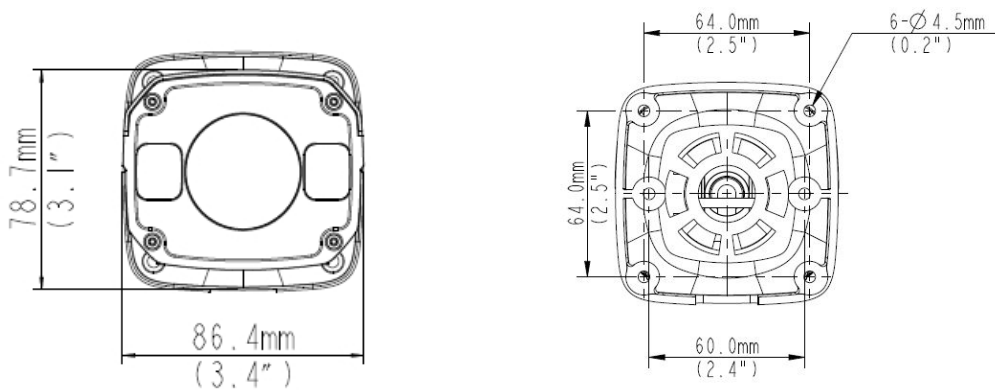
- Wide voltage range of $\pm 25\%$
- IP67

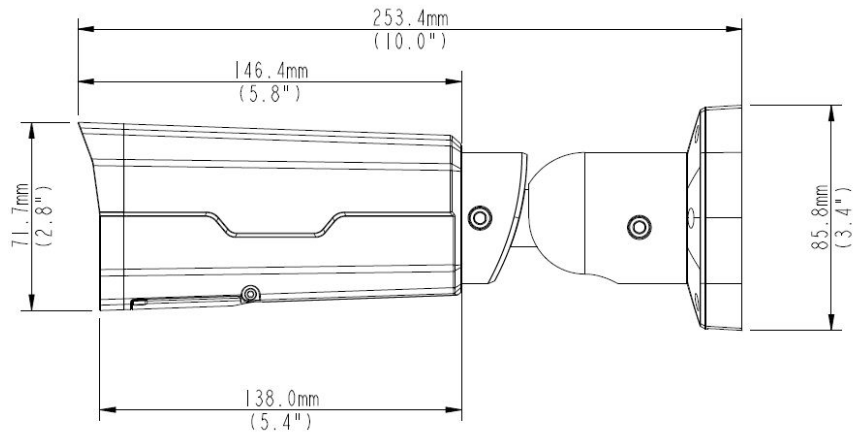
Specifications

IPC2325EBR5-DUPZ					
Camera					
Sensor	1/2.7", progressive scan, 5.0megapixel, CMOS				
Lens	2.7~13.5mm , AF automatic focusing and motorized zoom lens				
DORI Distance	Lens	Detect(m)	Observe(m)	Recognize(m)	Identify(m)
	2.7mm	60.8	24.3	12.2	6.1
	13.5mm	303.8	121.5	60.8	30.4
Angle of View(H)	93.38° ~ 28.56°				
Angle of View (V)	88°~ 16.4°				
Angle of View (O)	121.4° ~33.7°				
Adjustment angle	Pan: 0°~360°		Tilt: 0°~90°		Rotate: 0°~360°
Shutter	Auto/Manual, shutter time: 1~1/100000 s				
Minimum Illumination	Colour: 0.002 Lux (F1.2, AGC ON) 0 Lux with IR on				
Day/Night	IR-cut filter with auto switch (ICR)				
Digital noise reduction	2D/3D DNR				
S/N	>52 dB				
IR Range	Up to 50m (164 ft) IR range				
Defog	Digital Defog				
WDR	120dB				
Video					
Video Compression	Ultra 265,H.265, H.264, MJPEG				
H.264 code profile	Baseline profile, Main Profile, High Profile				
Frame Rate	Main Stream:5MP(2592 x 1944): Max. 20 fps, 5MP(2592 x 1944): Max. 25 fps(WDR OFF), 4MP(2560 x 1440): Max. 30 fps, 3MP(2048x 1536): Max. 30 fps, 2MP(1920 x 1080): Max. 30 fps; Sub Stream:2MP(1920 x 1080): Max. 30 fps; Third Stream:D1(720 x 765): Max. 30 fps				
9:16 Corridor Mode	Supported				
HLC	Supported				
BLC	Supported				
OSD	Up to 8 OSDs				
Privacy Mask	Up to 8 areas				
ROI	Up to 8 areas				
Motion Detection	Up to 4 areas				
Smart					
Behavior Detection	Intrusion, cross line, motion detection				
Intrusion	Enter and loiter in a pre-defined virtual region				
cross line	Cross a pre-defined virtual line				
motion detection	Moving within a pre-defined virtual region				
Recognition	Face detection、 Audio detection				

Intelligent Identification	Defocus, Scene Change
Statistical Analysis	People counting
General Function	Watermark, IP Address Filtering, Tampering Alarm, Alarm input, Alarm output, Access Policy, ARP Protection, RTSP Authentication, User Authentication
Audio	
Audio Compression	G.711
Two-way audio	Supported
Suppression	Supported
Sampling Rate	8 KHZ
Storage	
Edge Storage	Micro SD, up to 128 GB
Network Storage	ANR
Network	
Protocols	IPv4, IGMP, ICMP, ARP, TCP, UDP, DHCP, PPPoE, RTP, RTSP, RTCP, DNS, DDNS, NTP, FTP, UPnP, HTTP, HTTPS, SMTP, 802.1x, SNMP
Compatible Integration	ONVIF(Profile S, Profile G), API
Interface	
Audio I/O	Input: impedance 35 k Ω ; amplitude 2 V [p-p]
	Output: impedance 600 Ω ; amplitude 2 V [p-p]
Alarm I/O	1 / 1
Network	1 RJ45 10M/100M Base-TX Ethernet
General	
Power	12 V DC \pm 25%, PoE (IEEE802.3 af)
	Power consumption: Max 10 W
Dimensions (L x W x H)	253.4 x 86.4 x 78.7 mm (10.0" x 3.4" x 3.1")
Weight	0.58kg (1.28lb)
Working Environment	-35°C ~ +60°C (-31°F ~ 140°F), Humidity :10%~ 90% RH(non-condensing)
Ingress Protection	IP67

Dimensions





Accessories

Installation mode	Accessories	Description
Wall mount	\	Mounting pedestal is included in the Product package
Ceiling mount	\	Mounting pedestal is included in the Product package
Rail mount	TR-UP06-A-IN	For outdoor rail installation
Pole mount	TR-UP06-A-IN	For outdoor pole installation

Zhejiang Uniview Technologies Co., Ltd.

South Tower, Building 10, Wanlun Science Park, 88 Jiangling Road, Hangzhou, P.R.China 310051

Email: overseasbusiness@uniview.com; globalsupport@uniview.com

<http://www.uniview.com>

©2017-2018 Zhejiang Uniview Technologies Co., Ltd. All rights reserved.

*Product specifications and availability are subject to change without notice.