

# 2MP 22x Starlight IR Network PTZ Dome Camera

IPC6252SR-X22U(G)



## Key Features

### Optics

- Starlight illumination
- Accurate and fast focusing
- Smart IR, up to 200 m (656ft) IR distance
- Optical glass window with higher light transmittance
- IR anti-reflection window to increase the infrared transmittance

### Compression

- Ultra 265, H.265, H.264, MJPEG
- Embedded smart algorithm
- Triple streams
- Customized OSD
- 1080P@60fps Supported

### Network

- ONVIF Conformance

## Structure

- 15° Elevation Angle
- Innovative snow-removing functionality
- More effective heat dissipation system
- Intelligent temperature control technology
- 6 KV surge protection designed for network interface

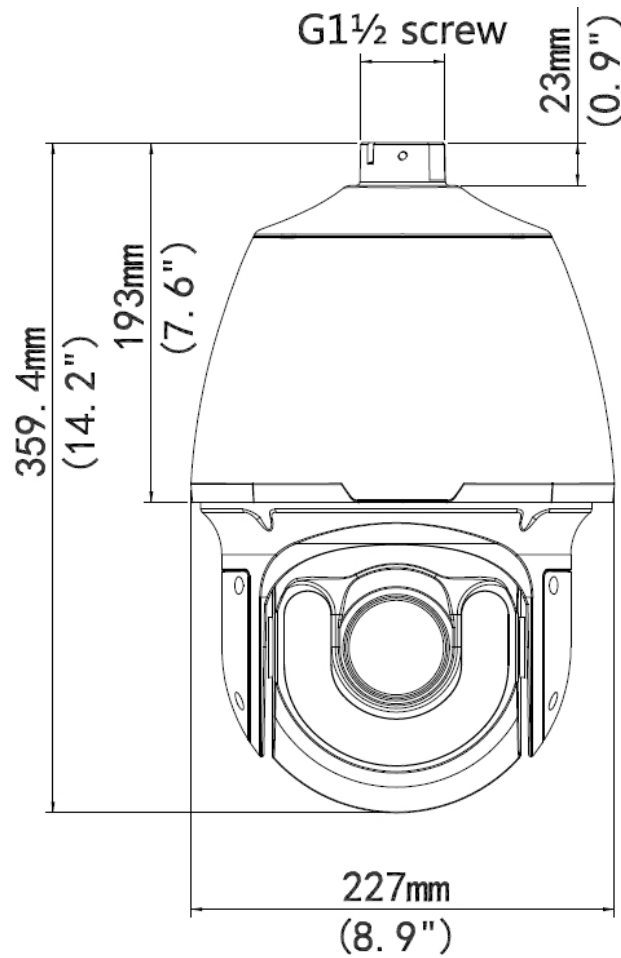
## Specifications

	IPC6252SR-X22U	IPC6252SR-X22UG			
<b>Camera</b>					
Sensor	1/1.9", progressive scan, 2.0 megapixel, CMOS				
Lens	6.5 ~ 143 mm , AF automatic focusing and motorized zoom lens				
Digital Zoom	16				
Optical Zoom	22				
DORI Distance	Lens	Detect(m)	Observe(m)	Recognize(m)	Identify(m)
	4.5mm	78	31.2	15.6	7.8
	143mm	1716	686.4	343.2	171.6
Angle of View (H)	57.2°~3.3°				
Angle of View (V)	38.4°~1.3°				
Angle of View (O)	70.4°~3.9°				
Shutter	Auto/Manual; shutter time: 1/6 s ~ 1/100000 s				
Minimum Illumination	Colour: 0.001Lux (F1.5, AGC ON) 0 Lux with IR				
Iris	Auto/Manual; F1.5 ~ F3.4				
Day/Night	IR-cut filter with auto switch (ICR)				
Digital noise reduction	2D/3D DNR				
S/N	>52dB				
IR Range	UP to 200m (656ft)				
Defog	Digital Defog				
WDR	120dB				
<b>Video</b>					
Video Compression	Ultra 265,H.265, H.264, MJPEG				
H.264 code profile	Baseline profile, Main Profile, High Profile				
Frame Rate	Main Stream:2MP (1920×1080):Max. 60 fps; Sub Stream:2MP (1920×1080):Max. 60 fps; Third Stream: D1 (720×576): Max. 60 fps				
HLC	Supported				
BLC	Supported				
EIS	Supported				
OSD	Up to 8 OSDs				

Privacy Mask	Up to 24 areas	
ROI	Supported	
Motion Detection	Up to 4 areas	
<b>Smart</b>		
Behavior Detection	Intrusion, cross line, motion detection, Auto tracking	
Intrusion	Enter and loiter in a pre-defined virtual region	
cross line	Cross a pre-defined virtual line	
motion detection	Moving within a pre-defined virtual region	
auto tracking	Tracking the specified target	
Recognition	Face detection、Audio detection	
Intelligent Identification	Defocus, Scene Change	
Statistical Analysis	People counting	
General Function	Watermark, IP Address Filtering, Tampering Alarm, Alarm input, Alarm output, Access Policy, ARP Protection, RTSP Authentication, User Authentication	
<b>Audio</b>		
Audio Compression	G.711	
Two-way audio	Supported	
Suppression	Supported	
Sampling Rate	8 KHZ	
<b>Storage</b>		
Edge Storage	Micro SD, up to 128 GB	
Network Storage	ANR	
<b>Network</b>		
Protocols	IPv4, IGMP, ICMP, ARP, TCP, UDP, DHCP, PPPoE, RTP, RTSP, RTCP, DNS, DDNS, NTP, FTP, UPnP, HTTP, HTTPS, SMTP, 802.1x, SNMP	
Compatible Integration	ONVIF(Profile S, Profile G), API	
<b>Pan &amp; Tilt</b>		
Pan Range	360° (endless)	
Pan Speed	0.1°/s ~ 240°/s	
	Preset speed: 300°/s	
Tilt Range	-15° ~ +90° (auto reverse)	
Tilt Speed	0.1° ~ 160°/s	
	Preset speed: 240°/s	
Number of Presets	1024	
Patrol	Preset patrol, route patrol, recorded patrol	
Home Position	Supported	
<b>Interface</b>		
Audio I/O	Audio cable	
	Input: impedance 35 kΩ; amplitude 2 V [p-p]	
	Output: impedance 600 Ω; amplitude 2 V [p-p]	
Alarm I/O	2 / 1	
Serial Port	1 RS485	
Network	1 RJ45 10M/100M Base-TX Ethernet	1 RJ45 100M Base-FX SFP+10M/100M Base-TX Ethernet
Video Output	1 BNC, impedance 75 Ω; amplitude 1 V [p-p]	

General	
Power	24 V AC (Default) $\pm 25\%$ , 24 V DC $\pm 25\%$
	Power consumption: 11~47W
Dimensions( $\phi$ xH)	$\phi 227 \times 359.4$ mm ( $\phi 8.9'' \times 14.2''$ )
Weight	5.5kg (12.1lb)
Working Environment	$-40^{\circ}\text{C} \sim +70^{\circ}\text{C}$ ( $-40^{\circ}\text{F} \sim 158^{\circ}\text{F}$ ), Humidity:10%~ 95% RH(non-condensing)
Ingress Protection	IP66
Reset Button	Supported

## Dimensions



## Accessories

Installation mode	Accessories	Description
Pendant mount	TR-CE45-IN bracket	/
	Pendant components: TR-UF45-A-IN ceiling plate TR-SE45-IN pendant rod (200mm) TR-SE45-A-IN pendant rod (500mm)	Ceiling plate is optional with different pendant rod for various applications
Standing pole mount	Customized bracket	The interface is designed with internal G1½ screws. The screw depth must be more than 23 mm
Wall mount	TR-WE45-IN bracket	/
Corner mount	TR-WE45-IN bracket + TR-UC08-A/B-IN bracket	/
Pole mount	TR-WE45-IN bracket + TR-UP08-A/B-IN bracket	/

### Zhejiang Uniview Technologies Co., Ltd.

Building No.10, Wanlun Science Park, Jiangling Road 88, Binjiang District, Hangzhou, Zhejiang, China (310051)

Email: [overseasbusiness@uniview.com](mailto:overseasbusiness@uniview.com); [globalsupport@uniview.com](mailto:globalsupport@uniview.com)

<http://www.uniview.com>

©2016 -2018 Zhejiang Uniview Technologies Co., Ltd. All rights reserved.

\*Product specifications and availability are subject to change without notice.