

# 2MP WDR Starlight Fixed Bullet Network Camera

IPC2222EBR5-HDUPF40/60



## Key Features

### Optics

- Starlight illumination
- 60fps Frame Rate
- Day/night functionality
- SmartIR, up to 50 m (164 ft) IR distance
- IR anti-reflection window to increase the infrared transmittance
- 120dB TRUE WDR
- 2D/3D DNR (Digital Noise Reduction)

### Compression

- Ultra265, H.265, H.264, MJPEG
- Embedded smart algorithm
- Triple streams
- ROI (Region of Interest)
- 9:16 corridor format

## Network

- ONVIF Conformance

## Structure

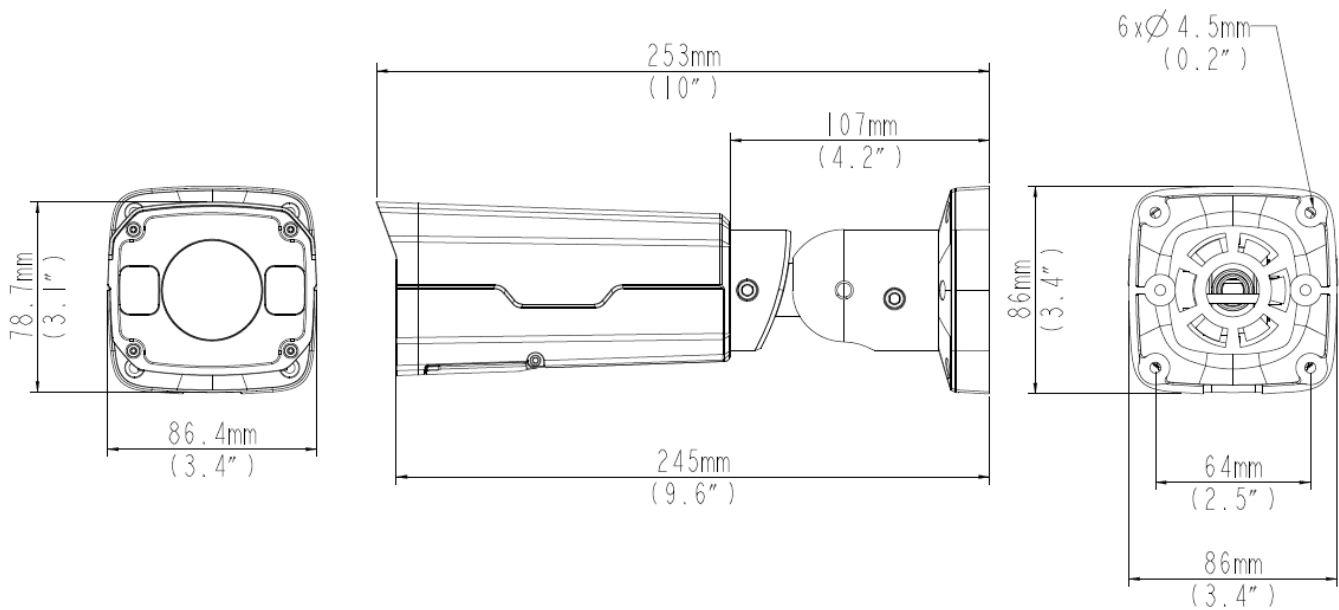
- Wide temperature range: -35°C to 60°C (-31°F to 140°F)
- Wide voltage range of ±25%
- IP67

## Specifications

	IPC2222EBR5-HDUPF40/60	IPC2222EBR5-HDUPF40/60			
<b>Camera</b>					
Sensor	1/2.8" ,progressive scan,2.0 megapixel, CMOS				
Lens	4.0mm@F1.6		6.0mm@F1.6		
DORI Distance	Lens	Detect (m)	Observe (m)	Recognize (m)	Identify (m)
	4mm	64.3	25.7	12.9	6.4
	6mm	96.4	38.6	19.3	9.6
Angle of View(H)	85.7°		61.2°		
Angle of View (V)	52.6°		35.98°		
Angle of View (O)	105.4°		75.3°		
Adjustment angle	Pan: 0°~360°		Tilt: 0°~90°		Rotate: 0°~360°
Shutter	Auto/Manual, 1/6~1/100000 s				
Minimum Illumination	Colour: 0.001Lux (F1.6, AGC ON) 0 Lux with IR on				
Day/Night	IR-cut filter with auto switch (ICR)				
Digital noise reduction	2D/3D DNR				
S/N	>52dB				
IR Range	Up to 50m (164 ft) IR range				
Defog	Digital Defog				
WDR	120dB				
<b>Video</b>					
Video Compression	Ultra265, H.265, H.264, MJPEG				
H.264 code profile	Baseline profile, Main Profile, High Profile				
Frame Rate	Main Stream:2MP (1920×1080): Max. 60fps; Sub Stream: 2MP (1920×1080): Max.30 fps; Third Stream:D1 (720×576): Max. 30fps;				
9:16 Corridor Mode	Supported				
ROI	Supported				
HLC	Supported				
OSD	Up to 8 OSDs				
Privacy Mask	Up to 8 areas				

ROI	Up to 8 areas
<b>Smart</b>	
Behavior Detection	Intrusion, cross line, motion detection
Intrusion	Enter and loiter in a pre-defined virtual region
cross line	Cross a pre-defined virtual line
motion detection	Moving within a pre-defined virtual region
Recognition:	Face detection
Intelligent Identification	Defocus, Scene Change
Statistical Analysis	People counting
General Function	Watermark, IP Address Filtering, output/input Alarm, Access Policy, ARP Protection, RTSP Authentication, User Authentication
<b>Storage</b>	
Edge Storage	Micro SD, up to 128 GB
Network Storage	ANR
<b>Network</b>	
Protocols	IPv4, IGMP, ICMP, ARP, TCP, UDP, DHCP, PPPoE, RTP, RTSP, RTCP, DNS, DDNS, NTP, FTP, UPnP, HTTP, HTTPS, SMTP, 802.1x, SNMP
Compatible Integration	ONVIF(Profile S, Profile G), API
<b>Interface</b>	
Network	1 RJ45 10M/100M Base-TX Ethernet
<b>General</b>	
Power	12 V DC±25%, PoE (IEEE802.3 af)
	Power consumption: Max 7.5W
Dimensions (L × W × H)	253×86.4 ×78.7 mm (10" × 3.4" × 3.1")
Weight	0.6kg (1.32lb)
Working Environment	-35°C ~ +60°C (-31°F ~ 140°F), Humidity:10%~95% RH(non-condensing)
Ingress Protection	IP67
Vandal Resistant	IK10

## Dimensions



## Accessories

Installation mode	Accessories	Description
Wall mount	\	Mounting pedestal is included in the Product package
Ceiling mount	\	Mounting pedestal is included in the Product package
Pole mount	TR-UP06-A-IN TR-JB07-IN junction box +TR-UP06-IN TR-JB07-A-IN junction box +TR-UP06-IN	TR-A01-IN waterproof joint for junction is optional

### Zhejiang Uniview Technologies Co., Ltd.

Building No.10, Wanlun Science Park, Jiangling Road 88, Binjiang District, Hangzhou, Zhejiang, China (310051)

Email: [overseasbusiness@uniview.com](mailto:overseasbusiness@uniview.com); [globalsupport@uniview.com](mailto:globalsupport@uniview.com)

<http://www.uniview.com>

©2018 Zhejiang Uniview Technologies Co., Ltd. All rights reserved.

\*Product specifications and availability are subject to change without notice.