

4MP Fixed Dome Network Camera

IPC324LR3-VSPF28(40)



Key Features

Optics

- Day/night functionality
- SmartIR, up to 30 m (98 ft) IR distance
- Car-grade LEDs, brighter and uniform light compensation
- 2D/3D DNR (Digital Noise Reduction)

Compression

- Ultra 265, H.265, H.264, MJPEG
- Triple streams
- ROI (Region of Interest)
- Customized OSD

Network

- ONVIF Conformance

Structure

- Wide temperature range: -30°C to 60°C (-22°F to 140°F)
- Wide input voltage range of $\pm 25\%$
- 2-Axis
- IK10 vandal resistant

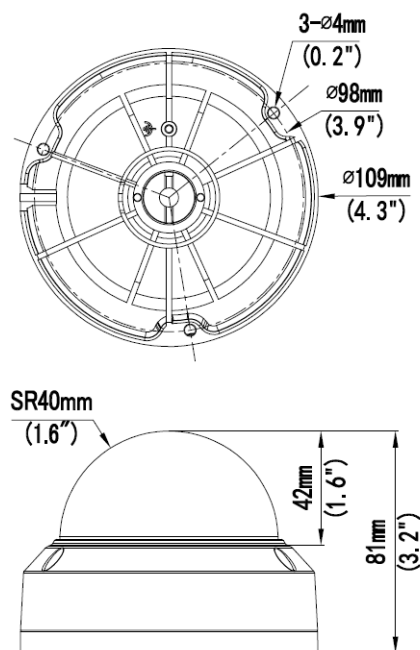
- IP66

Specifications

	IPC324LR3-VSPF28	IPC324LR3-VSPF40			
Camera					
Sensor	1/3", progressive scan ,4 megapixel, CMOS				
Lens	2.8 mm@ F1.8		4.0 mm@ F1.8		
DORI Distance	Lens	Detect (m)	Observe (m)	Recognize (m)	Identify (m)
	2.8mm	63	25.2	12.6	6.3
	4mm	90	36	18	9
Angle of View (H)	104.4°		78.9°		
Angle of View (V)	54.4°		39.6		
Angle of View (O)	135.7°		97.1°		
Adjustment angle	Pan: 0°~360°		Tilt: 0°~75°		
Shutter	Auto/Manual, 1/6~1/100000 s				
Minimum Illumination	Colour: 0.02 Lux (F1.8, AGC ON) 0 Lux with IR				
Day/Night	IR-cut filter with auto switch (ICR)				
Digital noise reduction	2D/3D DNR				
S/N	>52dB				
IR Range	Up to 30m (98 ft) IR range				
Defog	Digital Defog				
WDR	DWDR				
Video					
Video Compression	Ultra 265,H.265, H.264,MJPEG				
H.264 code profile	Baseline profile, Main Profile, High Profile				
Frame Rate	Main Stream:4MP (2592×1520): Max. 20 fps, 4MP (2560×1440): Max. 25 fps, 3MP (2048×1520): Max. 30 fps,2MP(1920×1080) : Max. 30; Sub Stream:2MP (1920×1080): Max. 30 fps; Third Stream:D1(720×576) : Max. 30fps				
HLC	Supported				
BLC	Supported				
9:16 Corridor Mode	Supported				
OSD	Up to 8 OSDs				
Privacy Mask	Up to 8 areas				
ROI	Up to 8 areas				
Motion Detection	Up to 4 areas				
General Function	Watermark, IP Address Filtering, Tampering Alarm, Access Policy, ARP Protection, RTSP Authentication, User Authentication				
Network					
Protocols	IPv4, IGMP, ICMP, ARP, TCP, UDP, DHCP, PPPoE, RTP, RTSP, RTCP, DNS, DDNS, NTP, FTP, UPnP, HTTP, HTTPS, SMTP, 802.1x, SNMP				
Compatible Integration	ONVIF(Profile S), API				
Interface					
Network	1 RJ45 10M/100M Base-TX Ethernet				

General	
Power	12 V DC±25%, PoE (IEEE802.3 af)
	Power consumption: Max 5.0W
Dimensions (∅ x H)	∅108.5 x 81 mm (∅4.28" x 3.2")
Weight	0.3 kg (0.66 lb)
Working Environment	-30°C ~ +60°C (-22°F ~ 140°F), Humidity :10%~95% RH(non-condensing)
Ingress Protection	IP66
Vandal Resistant	IK10

Dimensions



Zhejiang Uniview Technologies Co., Ltd.

South Tower, Building 10, Wanlun Science Park, 88 Jiangling Road, Hangzhou, P.R.China 310051

Email: overseasbusiness@uniview.com; globalsupport@uniview.com

<http://www.uniview.com>

©2017-2018 Zhejiang Uniview Technologies Co., Ltd. All rights reserved.

*Product specifications and availability are subject to change without notice.