

# 2MP 22x Indoor Network PTZ Dome Camera

IPC6222EI-X22UP-C



## Key Features

### Optics

- Starlight illumination
- 22x optical zoom
- Accurate and fast focusing

### Compression

- Ultra 265, H.265, H.264, MJPEG
- Embedded smart algorithm
- Triple streams
- Customized OSD

### Network

- ONVIF Conformance

### Structure

- Fast installation structure design

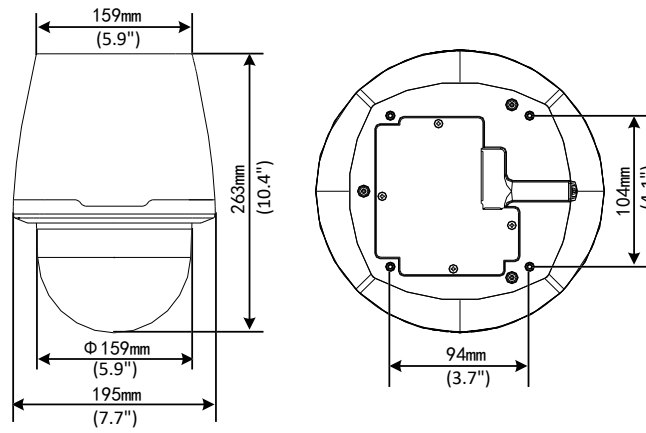
- Intelligent temperature control technology
- 6 KV surge protection designed for network interface
- IP65
- IK10

## Specifications

IPC6222EI-X22UP-C					
<b>Camera</b>					
Sensor	1/2.8", progressive scan, 2.0megapixel, CMOS				
Lens	5.2 ~ 114.4mm, AF automatic focusing and motorized zoom lens				
Digital Zoom	16				
Optical Zoom	22				
DORI Distance	Lens	Detect(m)	Observe(m)	Recognize(m)	Identify(m)
	5.2mm	80.7	32.3	16.1	8.1
	114.4mm	1775.2	710.1	355	177.5
Angle of View (H)	55.9°~3.5°				
Angle of View (V)	33.5°~1.6°				
Angle of View (O)	68.8°~4.2°				
Shutter	Auto/Manual; shutter time: 1 s ~ 1/100000 s				
Minimum Illumination	Colour: 0.001 lux (F1.5, AGC ON) B/W: 0.0001 lux(F1.5, AGC ON)				
Iris	Auto/Manual; F1.5 ~ F3.0				
Day/Night	IR-cut filter with auto switch (ICR)				
Digital noise reduction	2D/3D DNR				
S/N	>52dB				
Defog	Digital Defog				
WDR	120dB				
<b>Video</b>					
Video Compression	Ultra 265, H.265, H.264, MJPEG				
H.264 code profile	Baseline profile, Main Profile, High Profile				
Frame Rate	Main Stream:2MP (1920×1080):Max. 30 fps; Sub Stream:2MP (1920×1080):Max. 30 fps; Third Stream: D1 (720×576): Max. 30 fps				
HLC	Supported				
BLC	Supported				
OSD	Up to 8 OSDs				
Privacy Mask	Up to 24 areas				
ROI	Up to 8 areas				
Motion Detection	Up to 4 areas				
<b>Smart</b>					
Behavior Detection	Intrusion, cross line, motion detection				
Intrusion	Enter and loiter in a pre-defined virtual region				

cross line	Cross a pre-defined virtual line
motion detection	Moving within a pre-defined virtual region
Recognition	Face detection、Audio detection
Intelligent Identification	Defocus, Scene Change, Object Left, Object Moving
Statistical Analysis	People counting
General Function	Watermark, IP Address Filtering, Tampering Alarm, Alarm input, Alarm output, Access Policy, ARP Protection, RTSP Authentication, User Authentication
<b>Audio</b>	
Audio Compression	G.711
Two-way audio	Supported
Suppression	Supported
Sampling Rate	8 KHZ
<b>Storage</b>	
Edge Storage	Micro SD, up to 128 GB
Network Storage	ANR
<b>Network</b>	
Protocols	IPv4, IGMP, ICMP, ARP, TCP, UDP, DHCP, PPPoE, RTP, RTSP, RTCP, DNS, DDNS, NTP, FTP, UPnP, HTTP, HTTPS, SMTP, 802.1x, SNMP
Compatible Integration	ONVIF(Profile S, Profile G), API
<b>Pan &amp; Tilt</b>	
Pan Range	360° (endless)
Pan Speed	0.1°/s ~ 400°/s
	Preset speed:540°/s
Tilt Range	-18° ~ +90° (auto reverse)
Tilt Speed	0.1° ~ 240°/s
	Preset speed: 400°/s
Number of Presets	1024
Patrol	Preset patrol, route patrol, recorded patrol
Home Position	Supported
<b>Interface</b>	
Audio I/O	Audio cable
	1 Input: impedance 35 kΩ; amplitude 2 V [p-p]
	1 Output: impedance 600 Ω; amplitude 2 V [p-p]
Alarm I/O	2/ 1
Serial Port	1 RS485
Network	1 RJ45 10M/100M Base-TX Ethernet
Video Output	1 BNC, impedance 75 Ω; amplitude 1 V [p-p]
<b>General</b>	
Power	24 V AC±25%, 24 V DC±25%, PoE (IEEE802.3 at)
	Power consumption: 8~ 20W
Dimensions(ØxH)	Ø195 x 263 mm (Ø7.7" x 10.4")
Weight	3.5kg(7.7lb)
Working Environment	-20°C ~ +50°C (-4°F ~ 122°F), Humidity:10%~ 95% RH(non-condensing)
Ingress Protection	IP65

## Dimensions



**Zhejiang Uniview Technologies Co., Ltd.**

South Tower, Building 10, Wanlun Science Park, 88 Jiangling Road, Hangzhou, P.R.China 310051

Email: [overseasbusiness@uniview.com](mailto:overseasbusiness@uniview.com); [globalsupport@uniview.com](mailto:globalsupport@uniview.com)

<http://www.uniview.com>

©2017-2018 Zhejiang Uniview Technologies Co., Ltd. All rights reserved.

\*Product specifications and availability are subject to change without notice.