

2MP Fixed Dome Network Camera

IPC3612LR3-PF28 (40)-C



Key Features

Optics

- Day/night functionality
- Smart IR, up to 30 m (98 ft) IR distance
- 2D/3D DNR (Digital Noise Reduction)

Compression

- Ultra 265, H.265, H.264, MJPEG
- Triple streams

Network

- ONVIF Conformance

Structure

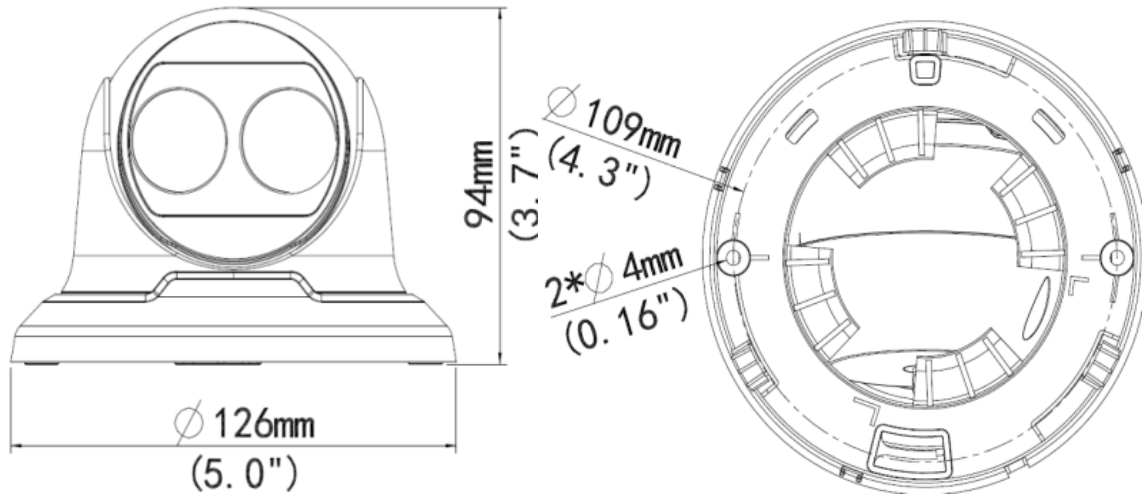
- Wide temperature range: -20°C to 50°C (-4°F to 122°F)
- Wide voltage range of $\pm 25\%$

Specifications

	IPC3612LR3-PF28-C	IPC3612LR3-PF40-C			
Camera					
Sensor	1/2.7", progressive scan, 2megapixel, CMOS				
Lens	2.8mm@F1.8			4.0mm@F1.8	
DORI Distance	Lens	Detect(m)	Observe(m)	Recognize(m)	Identify(m)
	2.8mm	42	16.8	8.4	4.2
	4mm	60	24	12	6
Angle of view(H)	112.7°			86.5°	
Angle of View (V)	60.1°			44.1°	
Angle of View (O)	146.5°			106.4°	
Adjustment angle	Pan: 0°~360°		Tilt: 0°~75°		
Shutter	Auto/Manual, 1/6~1/100000 s				
Minimum Illumination	Colour: 0.01 Lux (F1.8, AGC ON) 0 Lux with IR				
Day/Night	IR-cut filter with auto switch (ICR)				
Digital noise reduction	2D/3D DNR				
S/N	>52dB				
IR Range	Up to 30m (98 ft) IR range				
Defog	Digital Defog				
WDR	DWDR				
Video					
Video Compression	Ultra 265,H.265, H.264, MJPEG				
H.264 code profile	Baseline profile, Main Profile, High Profile				
Frame Rate	Main Stream: 2MP (1920×1080): Max. 25 fps; Sub Stream:720P (1280×720): Max. 25 fps; Third Stream:D1(720×576) : Max. 25fps				
HLC	Supported				
BLC	Supported				
OSD	Up to 8 OSDs				
Privacy Mask	Up to 8 areas				
ROI	Up to 8 areas				
Motion Detection	Up to 4 areas				
Network					
Protocols	IPv4, IGMP, ICMP, ARP, TCP, UDP, DHCP, PPPoE, RTP, RTSP, RTCP, DNS, DDNS, NTP, FTP, UPnP, HTTP, HTTPS, SMTP				
Compatible Integration	ONVIF(Profile S), API				
Interface					
Network	1 RJ45 10M/100M Base-TX Ethernet				
General					
Power	12 V DC±25%, PoE (IEEE802.3 af)				
	Power consumption: Max 5.0W				
Dimensions (Ø x H)	Φ118 x 96 mm (Ø4.6" x 3.8")				
Weight	0.2 kg (0.44lb)				

Working Environment	-20°C ~ +50°C (-4°F ~ 122°F), Humidity :10%~95% RH(non-condensing)
---------------------	--

Dimensions



Zhejiang Uniview Technologies Co., Ltd.

South Tower, Building 10, Wanlun Science Park, 88 Jiangling Road, Hangzhou, P.R.China 310051

Email: overseasbusiness@uniview.com; globalsupport@uniview.com

<http://www.uniview.com>

©2017-2018 Zhejiang Uniview Technologies Co., Ltd. All rights reserved.

*Product specifications and availability are subject to change without notice.