

2MP 20x IR Network PTZ Dome Camera

IPC6222ER-X20(P)-B



Key Features

Optics

- Accurate and fast focusing
- The third-generation infrared technology
- Smart IR, up to 150 m (492ft) IR distance
- Optical glass window with higher light transmittance
- IR anti-reflection window to increase the infrared transmittance
- 120dB true WDR

Compression

- Ultra 265, H.265, H.264, MJPEG
- Embedded smart algorithm
- Triple streams

- Customized OSD

Network

- ONVIF Conformance

Structure

- Special structure and window design to battle bad weather (especially in dusty weather)
- Innovative snow-removing functionality
- More effective heat dissipation system
- Intelligent temperature control technology
- 6 KV surge protection designed for network interface
- IK10 vandal resistant
- IP66

Specifications

	IPC6222ER-X20-B	IPC6222ER-X20P-B			
Camera					
Sensor	1/2.8", progressive scan, 2.0megapixel, CMOS				
Lens	5.2 ~ 104 mm , AF automatic focusing and motorized zoom lens				
Digital Zoom	16				
Optical Zoom	20				
DORI Distance	Lens	Detect(m)	Observe(m)	Recognize(m)	Identify(m)
	5.2mm	85.1	34	17	8.5
	104mm	1701.8	680.7	340.4	170.2
Angle of View (H)	60.2°~3.0°				
Angle of View (V)	38.6°~2.0°				
Angle of View (O)	79.5°~4.2°				
Adjustment angle	Pan: 0°~360°		Tilt: 0°~90°		Rotate: 0°~360°
Shutter	Auto/Manual; shutter time: 1 ~ 1/100000 s				
Minimum Illumination	Colour: 0.001 lux (F1.5, AGC ON) 0 lux with IR				
Iris	Auto/Manual; F1.5 ~ F3.0				
Day/Night	IR-cut filter with auto switch (ICR)				
Digital noise reduction	2D/3D DNR				
S/N	>52dB				
IR Range	UP to 150m (492ft)				
Defog	Digital Defog				
WDR	120Db				

Video

Video Compression	Ultra 265,H.265, H.264, MJPEG
H.264 code profile	Baseline profile, Main Profile, High Profile
Frame Rate	Main Stream:2MP (1920×1080):Max. 30 fps; Sub Stream:2MP (1920×1080):Max. 30 fps; Third Stream: D1 (720×576): Max. 30 fps
HLC	Supported
BLC	Supported
EIS	Supported
OSD	Up to 8 OSDs
Privacy Mask	Up to 24 areas
ROI	Up to 8 areas
Motion Detection	Up to 4 areas

Smart

Behavior Detection	Intrusion, cross line, motion detection, auto tracking
Intrusion	Enter and loiter in a pre-defined virtual region
cross line	Cross a pre-defined virtual line
motion detection	Moving within a pre-defined virtual region
Recognition	Face detection、Audio detection
Intelligent Identification	Defocus, Scene Change, Object Left, Object Moving
Statistical Analysis	People counting
General Function	Watermark, IP Address Filtering, Tampering Alarm, Alarm input, Alarm output, Access Policy, ARP Protection, RTSP Authentication, User Authentication

Audio

Audio Compression	G.711
Two-way audio	Supported
Suppression	Supported
Sampling Rate	8 KHZ

Storage

Edge Storage	Micro SD, up to 128 GB
Network Storage	ANR

Network

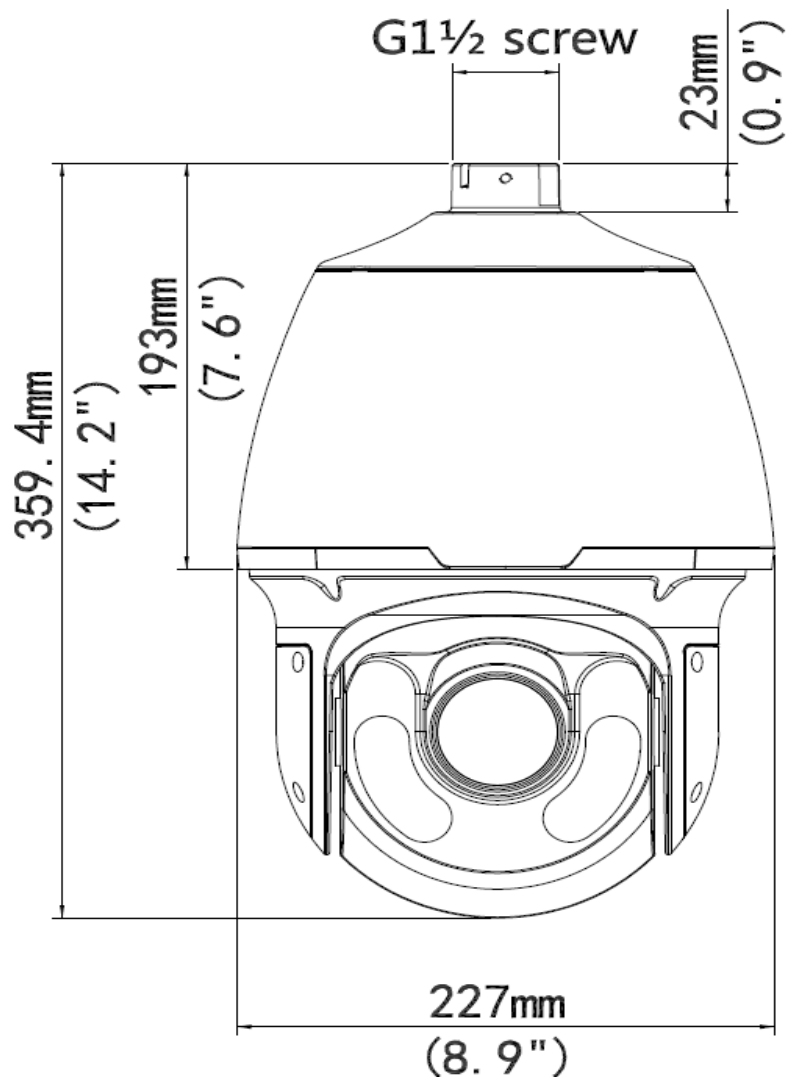
Protocols	Ipv4, IGMP, ICMP, ARP, TCP, UDP, DHCP, PPPoE, RTP, RTSP, RTCP, DNS, DDNS, NTP, FTP, UpnP, HTTP, HTTPS, SMTP, 802.1x, SNMP,TLS,SSL
Compatible Integration	ONVIF(Profile S, Profile G), API

Pan & Tilt

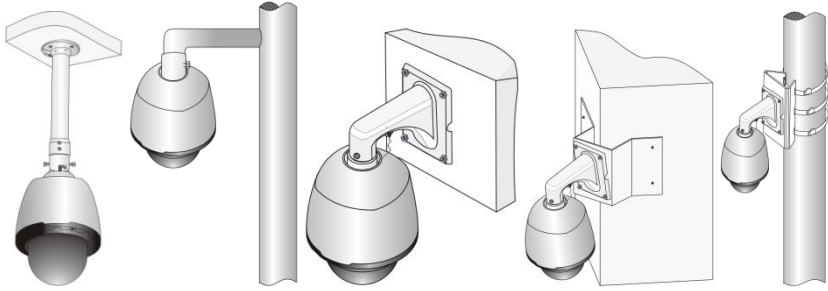
Pan Range	360° (endless)
Pan Speed	0.1°/s ~ 240°/s
	Preset speed: 300°/s
Tilt Range	-15° ~ +90° (auto reverse)
Tilt Speed	0.1° ~ 160°/s
	Preset speed: 240°/s
Number of Presets	1024
Patrol	Up to 16 patrols, up to 32 presets per patrol
Home Position	Supported

Interface		
Audio I/O	Audio cable	
	Input: impedance 35 K ω ; amplitude 2 V [p-p]	
	Output: impedance 600 Ω ; amplitude 2 V [p-p]	
Alarm I/O	1/ 1	
Network	1 RJ45 10M/100M Base-TX Ethernet	
General		
Power	24 V AC \pm 25%, 24 V DC \pm 25%	24 V AC \pm 25%, 24 V DC \pm 25%, PoE (PSE Required)
	Power consumption: 9 ~ 42W	
Dimensions(ϕ xH)	ϕ 227x359.4 mm (ϕ 8.9" x 14.2")	
Weight	5.28 kg (11.6lb)	
Working Environment	-40°C ~ 65°C (-40°F ~ 149°F), Humidity :10%~95% RH(non-condensing)	
Ingress Protection	IP66	
Vandal Resistant	IK10	

Dimensions



Installation



Pendant mount

Standing pole mount

Wall mount

Corner mount

Pole mount

Zhejiang Uniview Technologies Co., Ltd.

South Tower, Building 10, Wanlun Science Park, 88 Jiangling Road, Hangzhou, P.R.China 310051

Email: overseasbusiness@uniview.com; globalsupport@uniview.com

<http://www.uniview.com>

©2016 -2018 Zhejiang Uniview Technologies Co., Ltd. All rights reserved.

*Product specifications and availability are subject to change without notice.