

4MP WDR (Motorized) VF Vandal-resistant Network IR Fixed Dome Camera (Middle East only)

IPC3234SR3-DVZ28-ME



Key Features

Optics

- Day/night functionality
- Smart IR, up to 30m (98 ft) IR distance
- Up to 120 dB Optical WDR (Wide Dynamic Range)
- Lowlight surveillance
- 2D/3D DNR (Digital Noise Reduction)
- Built-in motorized lens for remote zoom

Compression

- Ultra 265, H.264, MJPEG
- Embedded smart algorithm
- Triple streams
- ROI (Region of Interest)

- 9:16 corridor mode

Network

- ONVIF Conformance

Structure

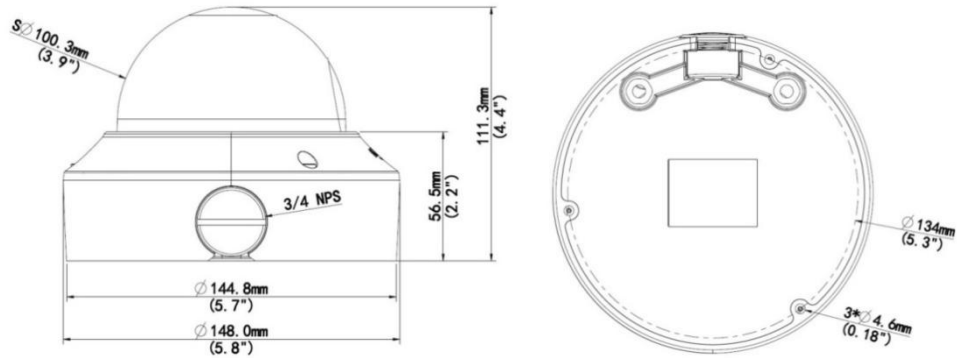
- Support PoE power supply
- Built-in PoE splitter that outputs DC 12V
- Wide temperature range: -40°C to 60°C (-40°F to 140°F)
- Wide voltage range of ±25%
- IK10 vandal resistant
- IP67

Specifications

| IPC3234SR3-DVZ28-ME | | | | | | | | | | | | | | | | |
|-------------------------|--|-----------------|--------------|-----------------|--------------|-------------|-------|----|------|------|-----|------|-----|-----|----|----|
| Camera | | | | | | | | | | | | | | | | |
| Sensor | 1/3", progressive scan, 4.0 megapixel, CMOS | | | | | | | | | | | | | | | |
| Lens | 2.8~12 mm, AF automatic focusing and motorized zoom lens | | | | | | | | | | | | | | | |
| DORI Distance | <table border="1"> <thead> <tr> <th>Lens</th> <th>Detect(m)</th> <th>Observe(m)</th> <th>Recognize(m)</th> <th>Identify(m)</th> </tr> </thead> <tbody> <tr> <td>2.8mm</td> <td>63</td> <td>25.2</td> <td>12.6</td> <td>6.3</td> </tr> <tr> <td>12mm</td> <td>270</td> <td>108</td> <td>54</td> <td>27</td> </tr> </tbody> </table> | Lens | Detect(m) | Observe(m) | Recognize(m) | Identify(m) | 2.8mm | 63 | 25.2 | 12.6 | 6.3 | 12mm | 270 | 108 | 54 | 27 |
| | Lens | Detect(m) | Observe(m) | Recognize(m) | Identify(m) | | | | | | | | | | | |
| | 2.8mm | 63 | 25.2 | 12.6 | 6.3 | | | | | | | | | | | |
| 12mm | 270 | 108 | 54 | 27 | | | | | | | | | | | | |
| Angle of View (H) | 91.0°~27° | | | | | | | | | | | | | | | |
| Angle of View (V) | 54.4°~13.7° | | | | | | | | | | | | | | | |
| Angle of View (O) | 118.3°~33.2° | | | | | | | | | | | | | | | |
| Adjustment angle | <table border="1"> <thead> <tr> <th>Pan: 0°~360°</th> <th>Tilt: 0°~90°</th> <th>Rotate: 0°~360°</th> </tr> </thead> <tbody> <tr> <td></td> <td></td> <td></td> </tr> </tbody> </table> | Pan: 0°~360° | Tilt: 0°~90° | Rotate: 0°~360° | | | | | | | | | | | | |
| Pan: 0°~360° | Tilt: 0°~90° | Rotate: 0°~360° | | | | | | | | | | | | | | |
| | | | | | | | | | | | | | | | | |
| Shutter | Auto/Manual, 1~1/100000 s | | | | | | | | | | | | | | | |
| Minimum Illumination | Colour: 0.005 Lux (F1.4, AGC ON) 0 Lux with IR | | | | | | | | | | | | | | | |
| Day/Night | IR-cut filter with auto switch (ICR) | | | | | | | | | | | | | | | |
| Digital noise reduction | 2D/3D DNR | | | | | | | | | | | | | | | |
| S/N | >55 dB | | | | | | | | | | | | | | | |
| IR Range | Up to 30m (98 ft) IR range | | | | | | | | | | | | | | | |
| Defog | Digital Defog | | | | | | | | | | | | | | | |
| WDR | 120dB | | | | | | | | | | | | | | | |
| Video | | | | | | | | | | | | | | | | |
| Video Compression | Ultra 265, H.264, MJPEG | | | | | | | | | | | | | | | |
| H.264 code profile | Baseline profile, Main Profile, High Profile | | | | | | | | | | | | | | | |
| Frame Rate | Main Stream:4MP (2592×1520): Max. 20 fps, 4MP (2560×1440): Max. 25 fps, 3MP (2048×1520): Max. 30 fps; Sub Stream:2MP (1920×1080): Max. 30 fps; Third Stream:D1(720×576) : Max. 30fps | | | | | | | | | | | | | | | |
| HLC | Supported | | | | | | | | | | | | | | | |

| | |
|---------------------------------|---|
| BLC | Supported |
| 9:16 Corridor Mode | Supported |
| OSD | Up to 8 OSDs |
| Privacy Mask | Up to 8 areas |
| ROI | Up to 8 areas |
| Motion Detection | Up to 4 areas |
| Audio | |
| Audio Compression | G.711 |
| Two-way audio | Supported |
| Suppression | Supported |
| Sampling Rate | 8 KHZ |
| Storage | |
| Edge Storage | Micro SD, up to 256 GB |
| Network Storage | ANR |
| Network | |
| Protocols | IPv4, IGMP, ICMP, ARP, TCP, UDP, DHCP, PPPoE, RTP, RTSP, RTCP, DNS, DDNS, NTP, FTP, UPnP, HTTP, HTTPS, SMTP, 802.1x, SNMP |
| Compatible Integration | ONVIF(Profile S, Profile G, Profile T), API |
| Interface | |
| Audio I/O | Audio cable |
| | Input: impedance 35 k Ω ; amplitude 2 V [p-p] |
| | Output: impedance 600 Ω ; amplitude 2 V [p-p] |
| Alarm I/O | 1/ 1 |
| Network | 1 RJ45 10M/100M Base-TX Ethernet |
| Video Output | 1 BNC, impedance 75 Ω ; amplitude 1 V [p-p] |
| General | |
| Power | DC12V \pm 25%, PoE (IEEE802.3 af) |
| | Power consumption: Max 7.2 W |
| Dimensions (\varnothing x H) | \varnothing 148 x 111.3 mm (\varnothing 5.8" x 4.4") |
| Weight | 0.75 kg (1.7 lb) |
| Working Environment | -40°C ~ +60°C (-40°F ~ 140°F), Humidity:10%~ 95% RH(non-condensing) |
| Ingress Protection | IP67 |
| Vandal Resistant | IK10 |
| Reset Button | Supported |

Dimensions



Zhejiang Uniview Technologies Co., Ltd.

Building No.10, Wanlun Science Park, Jiangling Road 88, Binjiang District, Hangzhou, Zhejiang, China (310051)

Email: overseasbusiness@uniview.com; globalsupport@uniview.com

<http://www.uniview.com>

©2016-2018 Zhejiang Uniview Technologies Co., Ltd. All rights reserved.

*Product specifications and availability are subject to change without notice.