

2MP WDR Network Box Camera

IPC542E-DLC-C



Key Features

Optics

- Day/night functionality
- Lowlight surveillance
- 2D/3D DNR (Digital Noise Reduction)
- Up to 120dB WDR (Wide Dynamic Range)

Compression

- Triple streams
- ROI (Region of Interest)
- 9:16 corridor mode
- Customized OSD

Network

- ONVIF Conformance

Structure

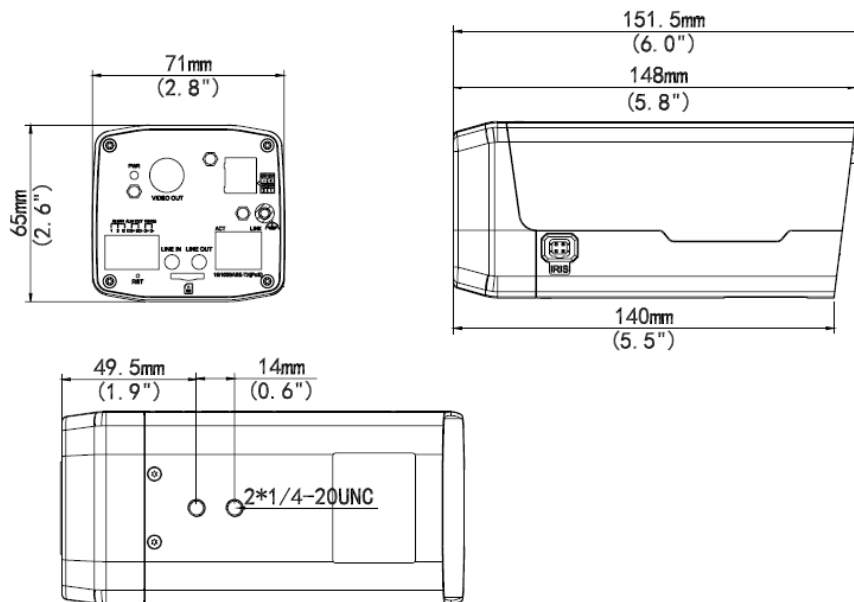
- AC 24V/DC 12V/PoE power supply
- Wide temperature range: -20°C ~ 60°C (-4°F ~ 140°F)
- Wide voltage range of $\pm 10\%$
- 6KV surge protection designed for network interface

Specifications

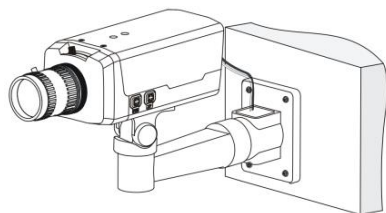
	IPC542E-DLC-C
Camera	
Sensor	1/2.8", 2.0 megapixel, progressive scan, CMOS
Shutter	Auto/Manual, 1 ~ 1/100000s
Minimum Illumination	Colour: 0.0005Lux (F1.2, AGC ON) B/W: 0.0001Lux(F1.2, AGC ON)
Lens Mount	C/CS
Iris	DC-Iris/P-Iris, DC 5V (4 Pins)
Day/Night	IR-cut filter with auto switch (ICR)
Digital noise reduction	2D/3D DNR
S/N	>52dB
Defog	Digital Defog
WDR	120dB
Video	
Video Compression	Ultra 265, H.264, MJPEG
H.264 code profile	Baseline profile, Main Profile, High Profile
Frame Rate	Main Stream: 2MP (1920*1080), Max 30fps; Sub Stream: 2MP (1920*1080), Max 30fps; Third Stream: D1 (720*576), Max 30fps
9:16 Corridor Mode	Supported
HLC	Supported
BLC	Supported
OSD	Up to 8 OSDs
Privacy Mask	Up to 8 areas
ROI	Up to 8 areas
Motion Detection	Up to 4 areas
Smart	
Behavior Detection	Intrusion, cross line, motion detection
Exception Detection	Audio detection
Intelligent Identification	Face detection, Defocus, Scene Change, Object Left, Object Moving
Statistical Analysis	People counting
General Function	Watermark, IP Address Filtering, Tampering Alarm, Alarm input, Alarm output, Access Policy, ARP Protection, RTSP Authentication, User Authentication
Audio	
Audio Compression	G.711
Two-way audio	Supported
Suppression	Supported
Sampling Rate	8KHZ
Storage	
Edge Storage	Micro SD, up to 256GB
Network Storage	ANR

Network	
Protocols	IPv4, IGMP, ICMP, ARP, TCP, UDP, DHCP, PPPoE, RTP, RTSP, RTCP, DNS, DDNS, NTP, FTP, UPnP, HTTP, HTTPS, SMTP, 802.1x, SNMP, QoS
Compatible Integration	ONVIF (Profile S, Profile G), API
Interface	
Audio I/O	3.5mm audio interface
	Input: impedance 35kΩ; amplitude 2V [p-p]
	Output: impedance 600Ω; amplitude 2V [p-p]
Alarm I/O	2/1
Zoom/focus	N/A
Serial Port	1 RS485 (support Pelco-D/P)
Network	1 RJ45 10M/100M Base-TX Ethernet
Video Output	1 BNC, impedance 75Ω; amplitude 1V [p-p]
General	
Power	AC 24V±10%, DC 12V±10%, PoE (IEEE 802.3af)
	Power consumption: Max 6.8W
Dimensions (L × W × H)	151.5 x 71 x 65mm (6.0" x 2.8" x 2.6") (excluding the lens)
Weight	0.48kg (1.1lb)
Working Environment	-20°C ~ 60°C (-4°F ~ 140°F), Humidity: ≤95% RH (non-condensing)
Reset Button	Supported

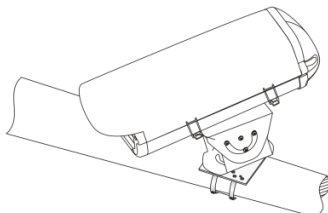
Dimensions



Installation



Bare mount



Housing mount

Zhejiang Uniview Technologies Co., Ltd.

Building No.10, Wanlun Science Park, Jiangling Road 88, Binjiang District, Hangzhou, Zhejiang, China (310051)

Email: overseasbusiness@uniview.com; globalsupport@uniview.com

<http://www.uniview.com>

©2019 Zhejiang Uniview Technologies Co., Ltd. All rights reserved.

*Product specifications and availability are subject to change without notice.