

8MP Network IR Fixed Dome Camera

IPC3618SR3-DPF28(40)



Key Features

Optics

- Day/night functionality
- Smart IR , up to 30m (98ft) IR distance
- Optical glass window with higher light transmittance
- IR anti-reflection window to increase the infrared transmittance
- 2D/3D DNR (Digital Noise Reduction)
- Up to 120dB WDR (Wide Dynamic Range)

Compression

- Ultra 265, H.264, MJPEG
- Embedded smart algorithm
- Triple streams
- 9:16 corridor format

Network

- ONVIF Conformance

Structure

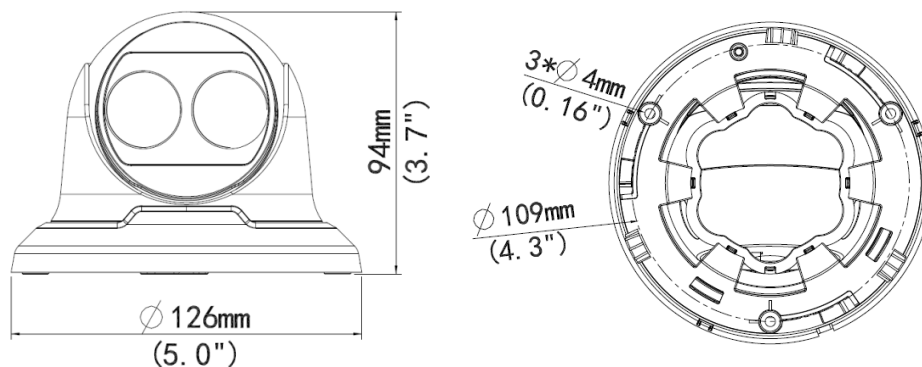
- Wide temperature range: -30°C ~ 60°C (-22°F ~ 140°F)
- Wide voltage range of ±25%
- IP67
- 3-Axis

Specifications

| | IPC3618SR3-DPF28 | IPC3618SR3-DPF40 | | | |
|-------------------------|--|------------------|----------------|---------------|---------------------|
| Camera | | | | | |
| Sensor | 1/2.5", 8.0 megapixel, progressive scan, CMOS | | | | |
| Lens | 2.8mm@F2.0 | 4.0mm@F2.0 | | | |
| Angle of view (H) | 118.1° | 91.6° | | | |
| Angle of view (V) | 64.0° | 47.2° | | | |
| Angle of view (O) | 153.5° | 112.7° | | | |
| DORI Distance | Lens (mm) | Detect (m) | Observe (m) | Recognize (m) | Identify (m) |
| | 2.8 | 50.4 | 20.2 | 10.1 | 5.0 |
| | 4.0 | 72 | 28.8 | 14.4 | 7.2 |
| Adjustment Range | Pan: 0° ~ 360° | | Tilt: 0° ~ 90° | | Rotation: 0° ~ 360° |
| Shutter | Auto/Manual, 1 ~ 1/100000s | | | | |
| Minimum Illumination | Colour: 0.001Lux (F2.0, AGC ON) 0Lux with IR | | | | |
| Day/Night | IR-cut filter with auto switch (ICR) | | | | |
| Digital noise reduction | 2D/3D DNR | | | | |
| S/N | >52dB | | | | |
| IR Range | Up to 30m (98ft) IR range | | | | |
| Defog | Digital Defog | | | | |
| WDR | 120dB | | | | |
| Video | | | | | |
| Video Compression | Ultra 265, H.264, MJPEG | | | | |
| H.264 code profile | Baseline profile, Main Profile, High Profile | | | | |
| Frame Rate | Main Stream: 8MP (3840*2160), Max 20fps; Sub Stream: 1080P (1920*1080), Max 30fps; Third Stream: D1 (720*576), Max 30fps | | | | |
| HLC | Supported | | | | |
| BLC | Supported | | | | |
| 9:16 Corridor Mode | Supported | | | | |
| OSD | Up to 8 OSDs | | | | |
| Privacy Mask | Up to 8 areas | | | | |
| ROI | Up to 8 areas | | | | |
| Motion Detection | Up to 4 areas | | | | |

| Smart | |
|----------------------------|---|
| Behavior Detection | Intrusion, cross line, motion detection |
| Intrusion | Enter and loiter in a pre-defined virtual region |
| cross line | Cross a pre-defined virtual line |
| motion detection | Moving within a pre-defined virtual region |
| Recognition | Face detection |
| Intelligent Identification | Defocus, Scene Change |
| Statistical Analysis | People counting |
| General Function | Watermark, IP Address Filtering, Tampering Alarm, Access Policy, ARP Protection, RTSP Authentication, User Authentication |
| Network | |
| Protocols | IPv4, IGMP, ICMP, ARP, TCP, UDP, DHCP, RTP, RTSP, RTCP, DNS, DDNS, NTP, FTP, UPnP, HTTP, HTTPS, SMTP, SSL, QoS |
| Compatible Integration | ONVIF (Profile S, Profile T), API |
| Interface | |
| Network | 10M/100M Base-TX Ethernet |
| General | |
| Power | DC 12V±25%, PoE (IEEE 802.3af) |
| | Power consumption: Max 5.5W |
| Dimensions (Ø x H) | Ø126 x 94mm (Ø5.0" x 3.7") |
| Weight | 0.45kg (0.99lb) |
| Operating Conditions | -30°C ~ 60°C (-22°F ~ 140°F), Humidity: ≤95% RH (non-condensing) |
| Ingress Protection | IP67 |

Dimensions



Zhejiang Uniview Technologies Co., Ltd.

Building No.10, Wanlun Science Park, Jiangling Road 88, Binjiang District, Hangzhou, Zhejiang, China (310051)

Email: overseasbusiness@uniview.com; globalsupport@uniview.com

<http://www.uniview.com>

©2019 Zhejiang Uniview Technologies Co., Ltd. All rights reserved.

*Product specifications and availability are subject to change without notice.