

4MP Mini Fixed Bullet Network Camera

IPC2124LR3-PF40(60)M-D



Key Features

Optics

- Day/night functionality
- Smart IR, up to 30m (98ft) IR distance
- Optical glass window with higher light transmittance
- IR anti-reflection window to increase the infrared transmittance
- 2D/3D DNR (Digital Noise Reduction)

Compression

- Ultra 265, H.265, H.264, MJPEG
- ROI (Region of Interest)

Network

- ONVIF Conformance

Structure

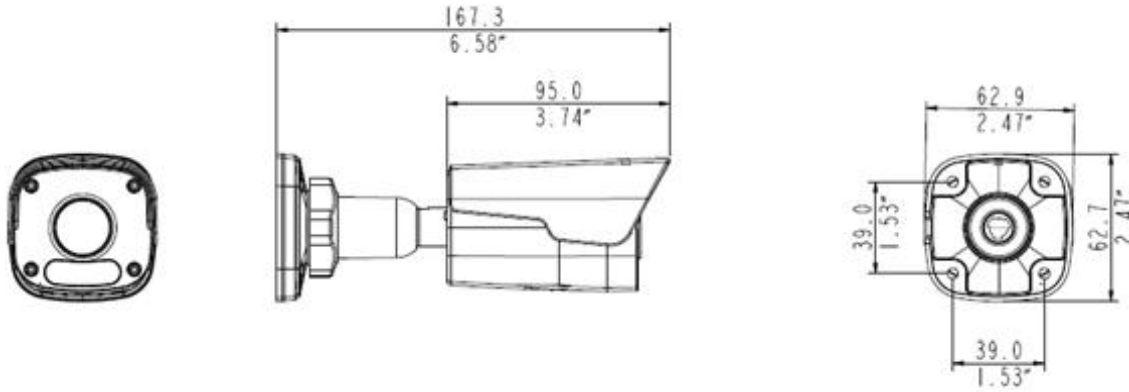
- Wide temperature range: -30°C ~ 60°C (-22°F ~ 140°F)
- Wide voltage range of $\pm 25\%$
- IP67
- 3-Axis

Specifications

| | IPC2124LR3-PF40M-D | IPC2124LR3-PF60M-D | | | |
|-------------------------|--|--------------------|----------------|---------------|-------------------|
| Camera | | | | | |
| Sensor | 1/3", 4.0 megapixel, progressive scan, CMOS | | | | |
| Lens | 4.0mm@F2.0 | | | 6.0mm@F2.0 | |
| DORI Distance | Lens (mm) | Detect (m) | Observe (m) | Recognize (m) | Identify (m) |
| | 4.0 | 60 | 24 | 12 | 6 |
| | 6.0 | 90 | 36 | 18 | 9 |
| Angle of View (H) | 78.9° | | | 49.9° | |
| Angle of View (V) | 39.6° | | | 27.0° | |
| Angle of View (O) | 97.0° | | | 57.7° | |
| Adjustment angle | Pan: 0° ~ 360° | | Tilt: 0° ~ 90° | | Rotate: 0° ~ 360° |
| Shutter | Auto/Manual, 1 ~ 1/100000s | | | | |
| Minimum Illumination | Colour: 0.03Lux (F2.0, AGC ON) 0Lux with IR on | | | | |
| Digital noise reduction | 2D/3D DNR | | | | |
| Day/Night | IR-cut filter with auto switch (ICR) | | | | |
| S/N | >52dB | | | | |
| IR Range | Up to 30m (98ft) IR range | | | | |
| WDR | DWDR | | | | |
| Video | | | | | |
| Video Compression | Ultra 265, H.265, H.264, MJPEG | | | | |
| H.264 code profile | Baseline profile, Main Profile | | | | |
| Frame Rate | Main Stream: 4MP (2592*1520), Max 20fps; Sub Stream: 720P (1280*720), Max 20fps; Third Stream: D1 (720*576), Max 20fps | | | | |
| HLC | Supported | | | | |
| BLC | Supported | | | | |
| OSD | Up to 4 OSDs | | | | |
| Privacy Mask | Up to 4 areas | | | | |
| ROI | Up to 2 areas | | | | |
| Motion Detection | Up to 4 areas | | | | |
| Smart | | | | | |
| Behavior Detection | Intrusion, Motion detection, Tampering alarm | | | | |
| Intrusion | Enter and loiter in a pre-defined virtual region | | | | |
| Network | | | | | |
| Protocols | IPv4, IGMP, ICMP, ARP, TCP, UDP, DHCP, RTP, RTSP, RTCP, DNS, DDNS, NTP, FTP, UPnP, HTTP, HTTPS, SMTP, SSL, QoS | | | | |
| Compatible Integration | ONVIF (Profile S, Profile T), API | | | | |
| Interface | | | | | |
| Network | 10/100M Base-TX Ethernet | | | | |
| General | | | | | |
| Power | DC 12V±25%, PoE (IEEE 802.3af) | | | | |
| | Power consumption: Max 4W | | | | |

| | |
|------------------------|--|
| Dimensions (L × W × H) | 167.3 × 62.9 × 62.7mm (6.6" × 2.5" × 2.5") |
| Weight | 0.37kg (0.81lb) |
| Working Environment | -30°C ~ 60°C (-22°F ~ 140°F), Humidity: ≤95% RH (non-condensing) |
| Ingress Protection | IP67 |

Dimensions



Zhejiang Uniview Technologies Co., Ltd.

Building No.10, Wanlun Science Park, Jiangling Road 88, Binjiang District, Hangzhou, Zhejiang, China (310051)

Email: overseasbusiness@uniview.com; globalsupport@uniview.com

<http://www.uniview.com>

©2019 Zhejiang Uniview Technologies Co., Ltd. All rights reserved.

*Product specifications and availability are subject to change without notice.