

# 4K Fixed Dome Network Camera

IPC3618LR3-DPF28(40)-F



## Key Features

### Optics

- Day/night functionality
- Smart IR, up to 30 m (98 ft) IR distance
- 2D/3D DNR (Digital Noise Reduction)

### Compression

- Ultra 265,H.265,H.264,MJPEG
- Triple streams
- ROI (Region of Interest)

### Network

- ONVIF Conformance

### Structure

- Wide temperature range:  $-30^{\circ}\text{C} \sim +60^{\circ}\text{C}$  ( $-22^{\circ}\text{F} \sim 140^{\circ}\text{F}$ )
- Wide voltage range of  $\pm 25\%$
- IP67

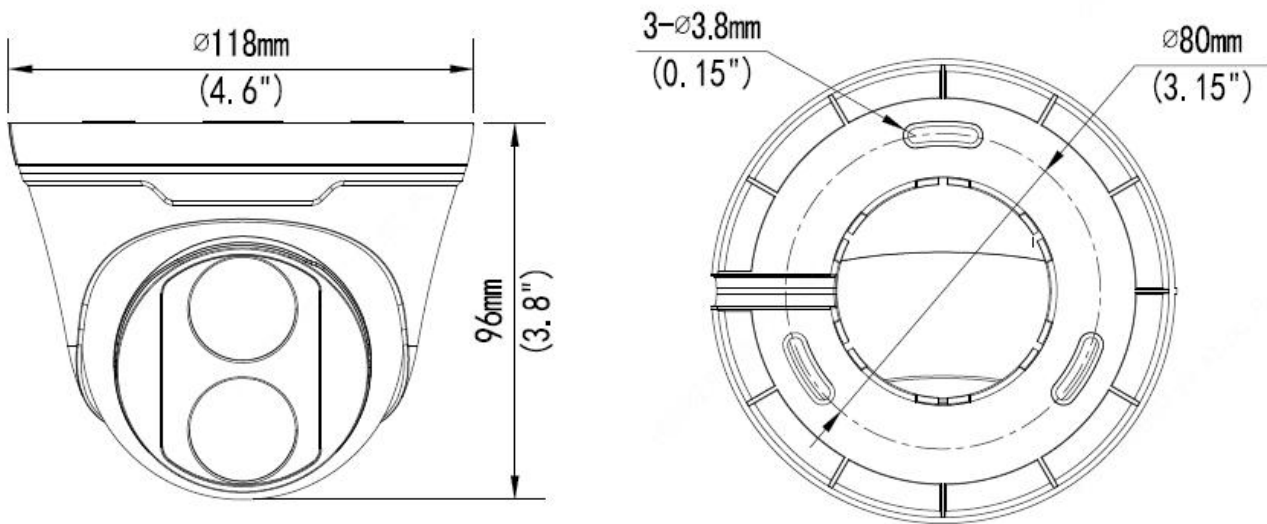
3-Axis

## Specifications

|                         | IPC3618LR3-DPF28-F  | IPC3618LR3-DPF40-F |              |              |                |
|-------------------------|---|--------------------|--------------|--------------|----------------|
| <b>Camera</b>           |   |                    |              |              |                |
| Sensor                  | 1/3", 8.0 megapixel, progressive scan, CMOS   |                    |              |              |                |
| Lens                    | 2.8mm@F2.0  |                    | 4.0mm@2.0    |              |                |
| DORI Distance           | Lens  | Detect(m)          | Observe(m)   | Recognize(m) | Identify(m)    |
|                         | 2.8mm   | 84                 | 33.6         | 16.8         | 8.4            |
|                         | 4.0mm   | 120                | 48           | 24           | 12             |
| Angle of view(H)        | 112.7°  |                    | 86.5°        |              |                |
| Angle of View (V)       | 60.1°   |                    | 44.1°        |              |                |
| Angle of View (O)       | 146.5°  |                    | 106.4°       |              |                |
| Shutter                 | Auto/Manual, 1~1/100000 s   |                    |              |              |                |
| Adjustment angle        | Pan: 0°~360°  |                    | Tilt: 0°~80° |              | Rotate:0°~360° |
| Min. Illumination       | Colour: 0.05 Lux (2.0, AGC ON)<br>0 Lux with IR   |                    |              |              |                |
| Day/Night               | IR-cut filter with auto switch (ICR)  |                    |              |              |                |
| Digital noise reduction | 2D/3D DNR   |                    |              |              |                |
| S/N                     | >56dB   |                    |              |              |                |
| IR Range                | Up to 30m (98 ft) IR range  |                    |              |              |                |
| Defog                   | Digital Defog   |                    |              |              |                |
| WDR                     | 120dB   |                    |              |              |                |
| <b>Video</b>            |   |                    |              |              |                |
| Video Compression       | Ultra 265, H.265, H.264, MJPEG  |                    |              |              |                |
| H.264 code profile      | Baseline Profile, Main Profile  |                    |              |              |                |
| Frame Rate              | Main Stream:8MP (3840*2160): Max. 20 fps; 5MP (2592*1944): Max. 30 fps; 5MP(2944*1656): Max. 30 fps;<br>4MP(2560*1440): Max. 30 fps; 2MP(1920*1080): Max. 30 fps<br>Sub Stream:720P (1280*720): Max. 20 fps<br>Third Stream:D1 (720*576): Max. 20 fps |                    |              |              |                |
| HLC                     | Supported   |                    |              |              |                |
| BLC                     | Supported   |                    |              |              |                |
| OSD                     | Up to 4 OSDs  |                    |              |              |                |
| Privacy Mask            | Up to 4 areas   |                    |              |              |                |
| ROI                     | Up to 2 areas   |                    |              |              |                |
| Motion Detection        | Up to 4 areas   |                    |              |              |                |
| <b>Network</b>          |   |                    |              |              |                |
| Protocols               | IPv4, IGMP, ICMP, ARP, TCP, UDP, DHCP, RTP, RTSP, RTCP, DNS, DDNS, NTP, FTP, UPnP, HTTP, HTTPS, SMTP, SSL,QoS   |                    |              |              |                |
| Compatible Integration  | ONVIF (Profile S+ Profile T), API   |                    |              |              |                |
| <b>Interface</b>        |   |                    |              |              |                |
| Network                 | 10/100M Base-TX Ethernet  |                    |              |              |                |
| <b>General</b>          |   |                    |              |              |                |
| Power                   | 12 V DC±25%, PoE (IEEE802.3 af)   |                    |              |              |                |
|                         | Power consumption: Max 5W   |                    |              |              |                |

|                     |  |
|---------------------|--|
| Dimensions (Ø x H)  | Φ118×96mm (Φ4.6"×3.8")   |
| Weight              | 0.33kg (0.73lb)  |
| Working Environment | -30°C ~ +60°C (-22°F ~ 140°F), Humidity: ≤95% RH(non-condensing) |
| Ingress Protection  | IP67   |

## Dimensions



### Zhejiang Uniview Technologies Co., Ltd.

South Tower, Building 10, Wanlun Science Park, 88 Jiangling Road, Hangzhou, P.R.China 310051

Email: [overseasbusiness@uniview.com](mailto:overseasbusiness@uniview.com); [globalsupport@uniview.com](mailto:globalsupport@uniview.com)

<http://www.uniview.com>

©2019 Zhejiang Uniview Technologies Co., Ltd. All rights reserved.

\*Product specifications and availability are subject to change without notice.