

# 2MP WDR Starlight AF Network IR Bullet Camera

## IPC262EBR9-HDUPZ



## Key Features

### Optics

- Starlight illumination
- Up to 120dB WDR (Wide Dynamic Range)
- Smart IR, up to up to 100m (328ft) IR distance
- Optical glass window with higher light transmittance
- IR anti-reflection window to increase the infrared transmittance
- Day/night functionality

### Compression

- Ultra 265, H.265, H.264, MJPEG
- Triple streams
- ROI (Region of Interest)
- 9:16 corridor mode
- Customized OSD

### Network

- ONVIF Conformance

### Structure

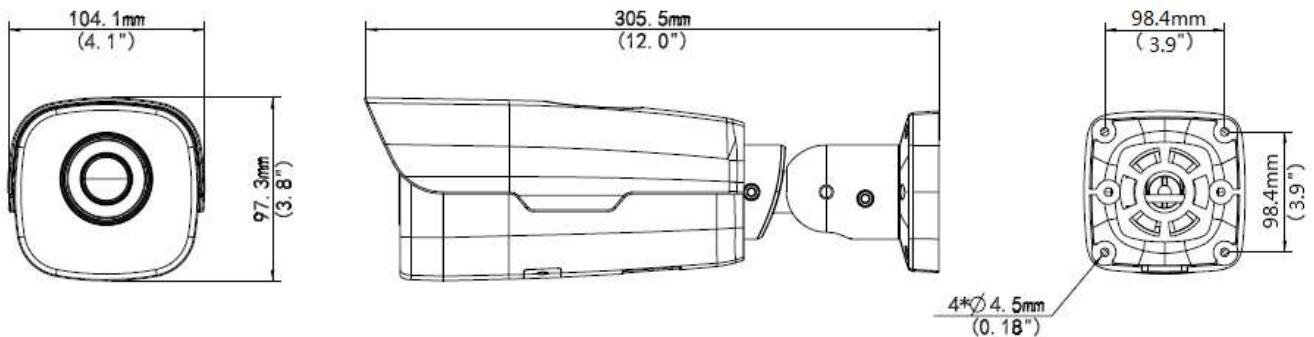
- Support PoE power supply
- Wide temperature range: -40°C ~ 60°C (-40°F ~ 140°F)
- Wide voltage range of  $\pm 25\%$
- IP67
- 3-Axis

## Specifications

Camera	IPC262EBR9-HDUPZ				
Sensor	1/1.8", 2.0 megapixel, progressive scan, CMOS				
Lens	2.8 ~ 12mm@F1.5 (W) ~ F2.8 (T); DC-Iris, AF automatic focusing and motorized zoom lens				
Iris	DC-Iris				
DORI Distance	Lens (mm)	Detect (m)	Observe (m)	Recognize (m)	Identify (m)
	2.8	33.6	13.4	6.7	3.4
	12	144	57.6	28.8	14.4
Angle of View (H)	87.5° ~ 31.2°				
Angle of View (V)	48.9° ~ 17.3°				
Angle of View (O)	113.8° ~ 38.4°				
Adjustment angle	Pan: 0° ~ 360°		Tilt: 0° ~ 90°		Rotate: 0° ~ 360°
Shutter	Auto/Manual, 1 ~ 1/100000s				
Minimum Illumination	Colour: 0.0005Lux (F1.5, AGC ON) 0Lux with IR				
Day/Night	IR-cut filter with auto switch (ICR)				
Digital noise reduction	2D/3D DNR				
S/N	>52dB				
IR Range	Smart-IR, up to 100m (328ft) IR range				
Defog	Digital Defog				
WDR	120dB				
<b>Video</b>					
Video Compression	Ultra 265, H.265, H.264, MJPEG				
H.264 code profile	Baseline profile, Main Profile, High Profile				
Frame Rate	Main Stream: 2MP (1920*1080), Max 60fps; Sub Stream: 2MP (1920*1080), Max 60fps; Third Stream: D1 (720*576), Max 60fps				
9:16 Corridor Mode	Supported				
HLC	Supported				
BLC	Supported				
OSD	Up to 8 OSDs				
Privacy Mask	Up to 8 areas				
ROI	Supported				
Motion Detection	Up to 4 areas				
<b>Smart</b>					
General Function	Watermark, IP Address Filtering, Tampering Alarm, Alarm input, Alarm output, Access Policy, ARP Protection, RTSP Authentication, User Authentication				
<b>Audio</b>					
Audio Compression	G.711				
Suppression	Supported				
Sampling Rate	8KHZ				
<b>Storage</b>					
Edge Storage	Micro SD, Up to 256GB				
Network Storage	ANR				

Network	
Protocols	IPv4, IGMP, ICMP, ARP, TCP, UDP, DHCP, PPPoE, RTP, RTSP, RTCP, DNS, DDNS, NTP, FTP, UPnP, HTTP, HTTPS, SMTP, 802.1x, SNMP, QoS
Compatible Integration	ONVIF (Profile S, Profile G, Profile T), API
Interface	
Audio I/O	Audio cable
	1 Input: impedance 35kΩ; amplitude 2V [p-p]
	1 Output: impedance 600Ω; amplitude 2V [p-p]
Alarm I/O	2/1
Serial Port	1 RS485
Network	1 RJ45 10M/100M Base-TX Ethernet
Video Output	1 BNC, impedance 75Ω; amplitude 1V [p-p]
General	
Power	AC 24V±25%, DC 12V±25%, PoE (IEEE 802.3at)
	Power consumption: 13.7W
Dimensions (L × W × H)	305.5 × 104.1 × 97.3mm (12.0" × 4.1" × 3.8")
Weight	1.65kg (3.6lb)
Working Environment	-40°C ~ 60°C (-40°F ~ 140°F), Humidity: ≤95% RH (non-condensing)
Ingress Protection	IP67
Reset Button	Supported

## Dimensions



### Zhejiang Uniview Technologies Co., Ltd.

Building No.10, Wanlun Science Park, Jiangling Road 88, Binjiang District, Hangzhou, Zhejiang, China (310051)

Email: [overseasbusiness@uniview.com](mailto:overseasbusiness@uniview.com); [globalsupport@uniview.com](mailto:globalsupport@uniview.com)

<http://www.uniview.com>

©2019 Zhejiang Uniview Technologies Co., Ltd. All rights reserved.

\*Product specifications and availability are subject to change without notice.