

4K Ultra-HD Network IR PTZ Dome Camera

IPC6258SR-X22P



Key Features

Optics

- 22X Optical Zoom
- Fifth-generation infrared technology, more than 150m (492ft) IR distance
- IR anti-reflection window to increase the infrared transmittance
- Optical glass window with higher light transmittance
- Smart IR
- EIS (Electronic Image Stabilization)

Compression

- 12 Megapixel image
- Ultra 265, H.265, H.264, MJPEG
- Triple streams
- Customized OSD

Network

- ONVIF Conformance

Structure

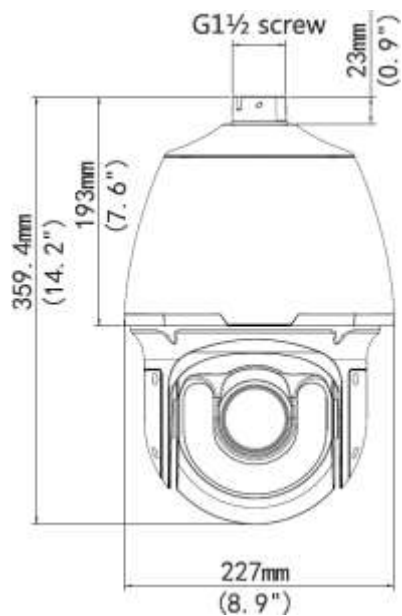
- Innovative snow-removing functionality
- Intelligent temperature control technology
- More effective heat dissipation system
- 6KV surge protection designed for network interface
- IP66

Specifications

IPC6258SR-X22P					
Camera					
Sensor	1/1.7", 12.0 megapixel, progressive scan, CMOS				
Lens	6.5 ~ 143mm (22x optical zoom), AF automatic focusing and motorized zoom lens				
DORI Distance	Lens (mm)	Detect (m)	Observe (m)	Recognize (m)	Identify (m)
	6.5	158.1	63.2	31.6	15.8
	143	3478.4	1391.4	695.7	347.8
Angle of View (H)	56.69° ~ 3.19°				
Angle of View (V)	34.2° ~ 1.6°				
Angle of View (O)	69.7° ~ 3.7°				
Shutter	Auto/Manual, shutter time: 1 ~ 1/100000s				
Minimum Illumination	Colour: 0.01Lux (F1.5,AGC ON) 0Lux with IR				
Iris	Auto/Manual, F1.5 ~ F3.4				
Day/Night	IR-cut filter with auto switch (ICR)				
Digital noise reduction	2D/3D DNR				
S/N	>55dB				
IR Range	UP to 150m (492ft)				
Defog	Digital Defog				
WDR	DWDR				
Video					
Video Compression	Ultra 265, H.265, H.264, MJPEG				
H.264 code profile	Baseline profile, Main Profile, High Profile				
Frame Rate	Main Stream: 12MP (4000*3000), Max 20fps; 8MP (3840*2160), Max 25fps; 2MP (1920*1080), 30fps; Sub Stream: 2MP (1920*1080), Max 30fps; Third Stream: D1 (720*576), Max 30fps				
HLC	Supported				
BLC	Supported				
EIS	Supported				
OSD	Up to 8 OSDs				
Privacy Mask	Up to 24 areas				
ROI	Up to 8 areas				

Motion Detection	Up to 4 areas
Smart	
General Function	Watermark, IP Address Filtering, Tampering Alarm, Alarm input, Alarm output, Access Policy, ARP Protection, RTSP Authentication, User Authentication
Audio	
Audio Compression	G.711
Two-way Audio	Supported
Suppression	Supported
Sampling Rate	8KHZ
Storage	
Edge Storage	Micro SD, up to 256GB
Network Storage	ANR
Network	
Protocols	IPv4, IGMP, ICMP, ARP, TCP, UDP, DHCP, PPPoE, RTP, RTSP, RTCP, DNS, DDNS, NTP, FTP, UPnP, HTTP, HTTPS, SMTP, 802.1x, SNMP, QoS
Compatible Integration	ONVIF (Profile S, Profile G, Profile T), API
Pan & Tilt	
Pan Range	360°
Pan Speed	0.1°/s ~ 240°/s
	Preset speed: 300°/s
Tilt Range	-15° ~ 90° (auto reverse)
Tilt Speed	0.1° ~ 160°/s
	Preset speed: 240°/s
Number of Presets	1024
Patrol	Preset patrol, route patrol, recorded patrol
Home Position	Supported
Interface	
Audio I/O	Audio cable
	1 Input: impedance 35kΩ; amplitude 2V [p-p]
	1 Output: impedance 600Ω; amplitude 2V [p-p]
Alarm I/O	1/1
Network	1 RJ45 10M/100M Base-TX Ethernet
Video Output	1 BNC, impedance 75Ω; amplitude 1V [p-p]
General	
Power	AC 24V±25% (Default), DC 24V±25%, PoE (PSE Required)
	Power consumption: 8 ~ 52.5W
Dimensions (Ø x H)	Ø227 x 359.4mm (Ø8.9" x 14.2")
Weight	5.4kg (12.1lb)
Working Environment	-40°C ~ 70°C (-40°F ~ 158°F), Humidity: ≤95% RH (non-condensing)
Ingress Protection	IP66
Reset Button	Supported

Dimensions



Zhejiang Uniview Technologies Co., Ltd.

Building No.10, Wanlun Science Park, Jiangling Road 88, Binjiang District, Hangzhou, Zhejiang, China (310051)

Email: overseasbusiness@uniview.com; globalsupport@uniview.com

<http://www.uniview.com>

©2019 Zhejiang Uniview Technologies Co., Ltd. All rights reserved.

*Product specifications and availability are subject to change without notice.