

5MP Network IR Fixed Dome Camera

IPC3615SR3-ADPF28(40)-F



Key Features

Optics

- Day/night functionality
- Up to 120dB WDR (Wide Dynamic Range)
- Smart IR, up to 30m (98ft) IR distance

Compression

- Ultra 265, H.264, MJPEG
- Triple streams

Network

- ONVIF Conformance

Structure

- Wide temperature range: -30°C ~ 60°C (-22°F ~ 140°F)
- Wide voltage range of $\pm 25\%$
- 4KV surge protection designed for network interface
- IP67

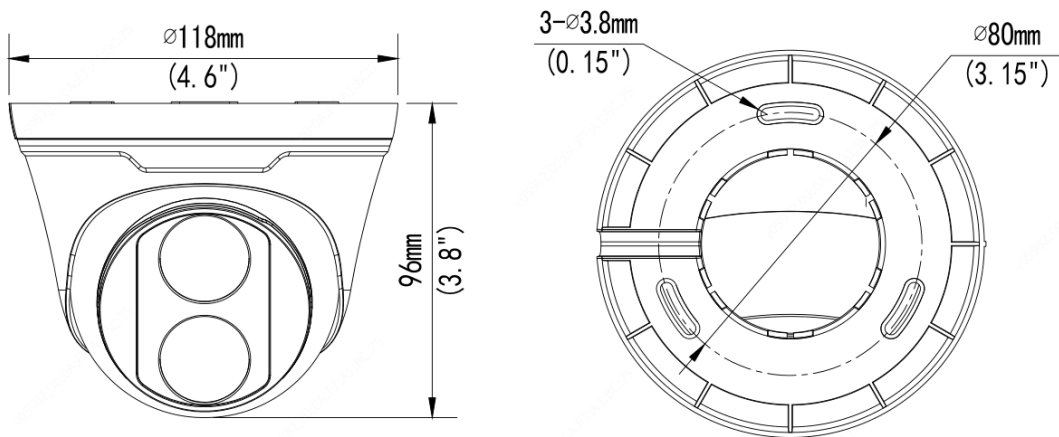
- 3-Axis

Specifications

	IPC3615SR3-DPF28M	IPC3615SR3-DPF40M			
Camera					
Sensor	1/2.7", 5.0 megapixel, progressive scan, CMOS				
Lens	2.8mm@F2.0			4.0mm@F2.0	
DORI Distance	Lens (mm)	Detect (m)	Observe (m)	Recognize (m)	Identify (m)
	2.8	63.1	25.2	12.6	6.3
	4.0	90.1	36.0	18.0	9.0
Angle of view(H)	105.6°			80.0°	
Angle of View (V)	69.9°			52.2°	
Angle of View (O)	137.3°			98.4°	
Adjustment angle	Pan: 0° ~ 360°		Tilt: 0° ~ 80°		Rotate: 0° ~ 360°
Shutter	Auto/Manual, 1 ~ 1/100000s				
Minimum Illumination	Colour: 0.01Lux (F2.0, AGC ON) 0Lux with IR on				
Day/Night	IR-cut filter with auto switch (ICR)				
Digital noise reduction	2D/3D DNR				
S/N	>56dB				
IR Range	Up to 30m (98ft) IR range				
WDR	120dB				
Video					
Video Compression	Ultra 265, H.265, H.264, MJPEG				
H.264 code profile	Baseline profile, Main Profile				
Frame Rate	Main Stream: 5MP (2592*1944), Max 20fps; 4MP (2560*1440), Max 30fps; 3MP (2304*1296), Max 30fps; 1080P (1920*1080), Max 30fps; Sub Stream: 4CIF (704*576), Max 30fps; Third Stream: CIF (352*288), Max 30fps				
HLC	Supported				
BLC	Supported				
OSD	Up to 4 OSDs				
Privacy Mask	Up to 4 areas				
ROI	Up to 2 areas				
Motion Detection	Up to 4 areas				
Audio					
Audio Compression	G.711				
Suppression	Supported				
Sampling Rate	8KHZ				
Network					
Protocols	IPv4, IGMP, ICMP, ARP, TCP, UDP, DHCP, RTP, RTSP, RTCP, DNS, DDNS, NTP, FTP, UPnP, HTTP, HTTPS, SMTP, SSL				
Compatible Integration	ONVIF (Profile S, Profile T), API				

Interface	
Network	1 RJ45 10M/100M Base-TX Ethernet
Built-in Mic	Supported
General	
Power	DC 12V±25%, PoE (IEEE 802.3af)
	Power consumption: Max 5.5W
Dimensions (∅ x H)	∅118 x 96mm (∅4.6" x 3.8")
Weight	0.33kg (0.73lb)
Operating Conditions	-30°C ~ 60°C (-22°F ~ 140°F), Humidity: ≤95% RH (non-condensing)
Ingress Protection	IP67

Dimensions



Zhejiang Uniview Technologies Co., Ltd.

Building No.10, Wanlun Science Park, Jiangling Road 88, Binjiang District, Hangzhou, Zhejiang, China (310051)

Email: overseasbusiness@uniview.com; globalsupport@uniview.com

<http://www.uniview.com>

©2019 Zhejiang Uniview Technologies Co., Ltd. All rights reserved.

*Product specifications and availability are subject to change without notice.