

4MP Cable-free WDR IR Dome Network Camera

IPC3534SR3-DVNPZ-F



Key Features

Optics

- Day/night functionality
- Smart IR, up to 30m (98ft) IR distance
- IR anti-reflection window to increase the infrared transmittance
- 2D/3D DNR (Digital Noise Reduction)

Compression

- Ultra 265, H.265, H.264, MJPEG
- Triple streams

Network

- ONVIF Conformance

Structure

Wide temperature range: -35°C ~ 60°C (-31°F ~ 140°F)

Wide voltage range of ±25%

IK10 vandal resistant

Cable-free

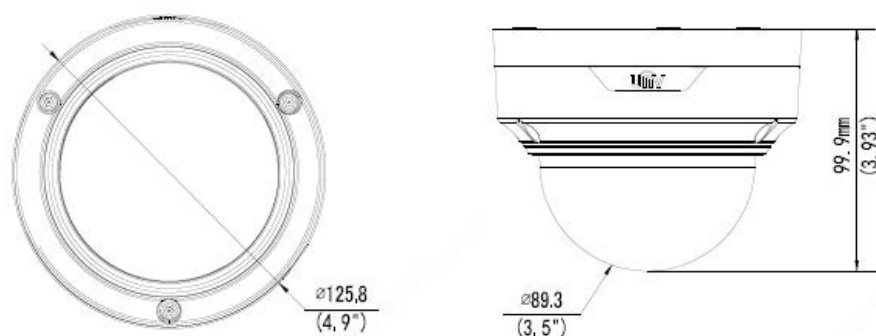
3-Axis

Specifications

| IPC3534SR3-DVNPZ-F | | | | | | | | | | | | | | | | |
|-------------------------|---|-------------------|----------------|-------------------|---------------|--------------|-----|------|------|------|-----|----|-------|-------|------|------|
| Camera | | | | | | | | | | | | | | | | |
| Sensor | 1/3", 4.0 megapixel, progressive scan, CMOS | | | | | | | | | | | | | | | |
| Lens | 2.8 ~ 12mm, AF automatic focusing and motorized zoom lens | | | | | | | | | | | | | | | |
| DORI Distance | <table border="1"> <thead> <tr> <th>Lens (mm)</th> <th>Detect (m)</th> <th>Observe (m)</th> <th>Recognize (m)</th> <th>Identify (m)</th> </tr> </thead> <tbody> <tr> <td>2.8</td> <td>63.0</td> <td>25.2</td> <td>12.6</td> <td>6.3</td> </tr> <tr> <td>12</td> <td>270.0</td> <td>108.0</td> <td>54.0</td> <td>27.0</td> </tr> </tbody> </table> | Lens (mm) | Detect (m) | Observe (m) | Recognize (m) | Identify (m) | 2.8 | 63.0 | 25.2 | 12.6 | 6.3 | 12 | 270.0 | 108.0 | 54.0 | 27.0 |
| | Lens (mm) | Detect (m) | Observe (m) | Recognize (m) | Identify (m) | | | | | | | | | | | |
| 2.8 | 63.0 | 25.2 | 12.6 | 6.3 | | | | | | | | | | | | |
| 12 | 270.0 | 108.0 | 54.0 | 27.0 | | | | | | | | | | | | |
| Angle of View (H) | 98.26° ~ 31.35° | | | | | | | | | | | | | | | |
| Angle of View (V) | 54.76° ~ 18.55° | | | | | | | | | | | | | | | |
| Angle of View (O) | 127.74° ~ 36.99° | | | | | | | | | | | | | | | |
| Adjustment angle | <table border="1"> <tr> <td>Pan: 0° ~ 360°</td> <td>Tilt: 0° ~ 70°</td> <td>Rotate: 0° ~ 360°</td> </tr> </table> | Pan: 0° ~ 360° | Tilt: 0° ~ 70° | Rotate: 0° ~ 360° | | | | | | | | | | | | |
| Pan: 0° ~ 360° | Tilt: 0° ~ 70° | Rotate: 0° ~ 360° | | | | | | | | | | | | | | |
| Shutter | Auto/Manual, 1 ~ 1/100000s | | | | | | | | | | | | | | | |
| Minimum Illumination | Colour: 0.003Lux (F1.6, AGC ON) 0Lux with IR | | | | | | | | | | | | | | | |
| Day/Night | IR-cut filter with auto switch (ICR) | | | | | | | | | | | | | | | |
| Digital noise reduction | 2D/3D DNR | | | | | | | | | | | | | | | |
| S/N | >56dB | | | | | | | | | | | | | | | |
| IR Range | Up to 30m (98ft) IR range | | | | | | | | | | | | | | | |
| Defog | Digital Defog | | | | | | | | | | | | | | | |
| WDR | 120dB | | | | | | | | | | | | | | | |
| Video | | | | | | | | | | | | | | | | |
| Video Compression | Ultra 265, H.265, H.264, MJPEG | | | | | | | | | | | | | | | |
| H.264 code profile | Baseline Profile, Main Profile | | | | | | | | | | | | | | | |
| Frame Rate | Main Stream: 4MP (2592*1520), Max 30fps; 4MP (2560*1440), Max 30fps; 3MP (2304*1296), Max 30fps; 1080P (1920*1080), Max 30fps; Sub Stream: 4CIF (704*576), Max 30fps; Third Stream: CIF (352*288), Max 30fps | | | | | | | | | | | | | | | |
| HLC | Supported | | | | | | | | | | | | | | | |
| BLC | Supported | | | | | | | | | | | | | | | |
| OSD | Up to 4 OSDs | | | | | | | | | | | | | | | |
| Privacy Mask | Up to 4 areas | | | | | | | | | | | | | | | |
| ROI | Up to 2 areas | | | | | | | | | | | | | | | |
| Motion Detection | Up to 4 areas | | | | | | | | | | | | | | | |

| Audio | |
|------------------------|---|
| Audio Compression | G.711 |
| Suppression | Supported |
| Sampling Rate | 8KHZ |
| Storage | |
| Edge Storage | Micro SD, up to 128GB |
| Network Storage | ANR |
| Network | |
| Protocols | IPv4, IGMP, ICMP, ARP, TCP, UDP, DHCP, RTP, RTSP, RTCP, DNS, DDNS, NTP, FTP, UPnP, HTTP, HTTPS, SMTP, SSL |
| Compatible Integration | ONVIF (Profile S, Profile G, Profile T), API |
| Interface | |
| Audio I/O | Input: impedance 35kΩ; amplitude 2V [p-p] |
| | Output: impedance 600Ω; amplitude 2V [p-p] |
| Alarm I/O | 1/1 |
| Network | 10M/100M Base-TX Ethernet |
| General | |
| Power | DC 12V±25%, PoE (IEEE 802.3af) |
| | Power consumption: Max 8.7W |
| Dimensions (Ø x H) | Φ125.8mmx99.9mm (Ø4.9" x 3.93") |
| Weight | 0.57kg (1.26lb) |
| Working Environment | -35°C ~ 60°C (-31°F ~ 140°F), Humidity: ≤95% RH (non-condensing) |
| Ingress Protection | IP66 |
| Vandal Resistant | IK10 |
| Reset Button | Supported |

Dimensions



Zhejiang Uniview Technologies Co., Ltd.

Building No.10, Wanlun Science Park, Jiangling Road 88, Binjiang District, Hangzhou, Zhejiang, China (310051)

Email: overseasbusiness@uniview.com; globalsupport@uniview.com

<http://www.uniview.com>

©2019 Zhejiang Uniview Technologies Co., Ltd. All rights reserved.

*Product specifications and availability are subject to change without notice.