

2MP WDR Starlight VF Network IR Bullet Camera

IPC2322EBR5-HDUPZ



Key Features

Optics

- Starlight illumination
- 60fps Frame Rate
- Day/night functionality
- Smart IR, up to 50m (164ft) IR distance
- Up to 120dB Optical WDR (Wide Dynamic Range)
- 120dB TRUE WDR
- 2D/3D DNR (Digital Noise Reduction)

Compression

- Ultra 265, H.265, H.264, MJPEG
- Triple streams
- ROI (Region of Interest)
- 9:16 corridor mode
- Customized OSD

Network

- ONVIF Conformance

Structure

- Support PoE power supply

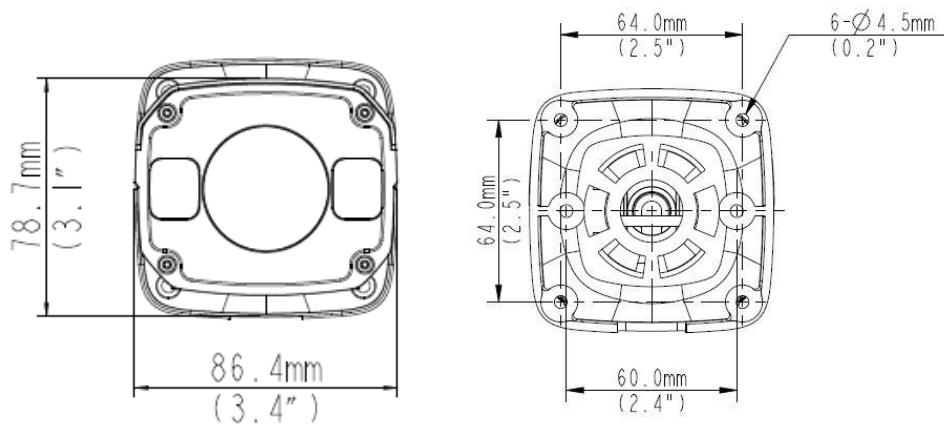
- Wide temperature range: -35°C ~ 60°C (-31°F ~ 140°F)
- Wide voltage range of ±25%
- IP67
- 3-Axis

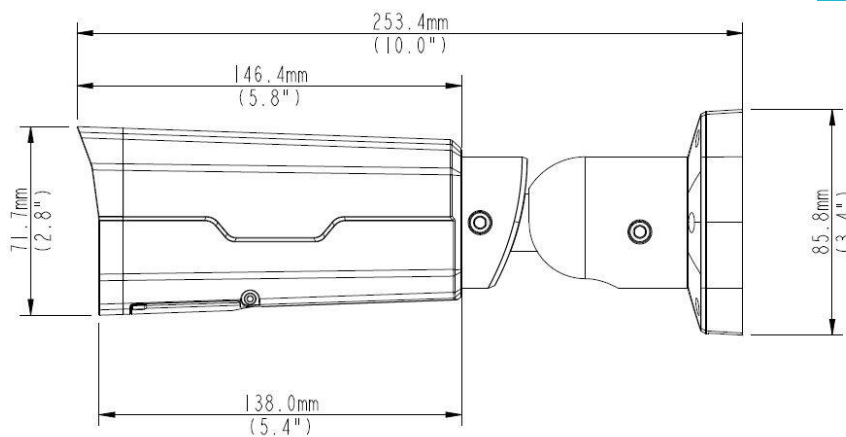
Specifications

| IPC2322EBR5-HDUPZ | | | | | |
|-------------------------|--|------------|----------------|---------------|-------------------|
| Camera | | | | | |
| Sensor | 1/2.8", 2.0megapixel, progressive scan, CMOS | | | | |
| Lens | 2.7 ~ 13.5mm, AF automatic focusing and motorized zoom lens | | | | |
| DORI Distance | Lens (mm) | Detect (m) | Observe (m) | Recognize (m) | Identify (m) |
| | 2.7 | 41.9 | 16.7 | 8.4 | 4.2 |
| | 13.5 | 209.5 | 83.8 | 41.9 | 20.9 |
| Angle of View (H) | 121.36° ~ 33.51° | | | | |
| Angle of View (V) | 58.4° ~ 14.9° | | | | |
| Angle of View (O) | 139.9° ~ 33.4° | | | | |
| Adjustment angle | Pan: 0° ~ 360° | | Tilt: 0° ~ 90° | | Rotate: 0° ~ 360° |
| Shutter | Auto/Manual, shutter time: 1 ~ 1/100000s | | | | |
| Minimum Illumination | Colour: 0.0005Lux (F1.2, AGC ON) 0Lux with IR on | | | | |
| Day/Night | IR-cut filter with auto switch (ICR) | | | | |
| Digital noise reduction | 2D/3D DNR | | | | |
| S/N | >52 dB | | | | |
| IR Range | Up to 50m (164ft) IR range | | | | |
| Defog | Digital Defog | | | | |
| WDR | 120dB | | | | |
| Video | | | | | |
| Video Compression | Ultra 265, H.265, H.264, MJPEG | | | | |
| H.264 code profile | Baseline profile, Main Profile, High Profile | | | | |
| Frame Rate | Main Stream: 2MP (1920*1080), Max 60fps; Sub Stream: 720P (1280*720), Max 30fps; Third Stream: D1 (720*576), Max 30fps | | | | |
| 9:16 Corridor Mode | Supported | | | | |
| HLC | Supported | | | | |
| BLC | Supported | | | | |
| OSD | Up to 8 OSDs | | | | |
| Privacy Mask | Up to 8 areas | | | | |
| ROI | Up to 8 areas | | | | |
| Motion Detection | Up to 4 areas | | | | |
| Audio | | | | | |
| Audio Compression | G.711 | | | | |
| Two-way audio | Supported | | | | |
| Suppression | Supported | | | | |
| Sampling Rate | 8KHZ | | | | |

| Storage | |
|------------------------|--|
| Edge Storage | Micro SD, up to 256GB |
| Network Storage | ANR |
| Network | |
| Protocols | IPv4, IGMP, ICMP, ARP, TCP, UDP, DHCP, PPPoE, RTP, RTSP, RTCP, DNS, DDNS, NTP, FTP, UPnP, HTTP, HTTPS, SMTP, 802.1x, SNMP, QoS |
| Compatible Integration | ONVIF (Profile S, Profile G, Profile T), API |
| Interface | |
| Audio I/O | Input: impedance 35kΩ; amplitude 1V [p-p] |
| | Output: impedance 600Ω; amplitude 1V [p-p] |
| Alarm I/O | 1/1 |
| Network | 1 RJ45 10M/100M Base-TX Ethernet |
| Video Output | 1 BNC, impedance 75Ω; amplitude 1V [p-p] |
| General | |
| Power | DC 12V±25%, PoE (IEEE 802.3af) |
| | Power consumption: Max 10W |
| Dimensions (L × W × H) | 253.4 × 86 × 71.7mm (9.98" × 3.4" × 2.8") |
| Weight | 1.0kg (2.2lb) |
| Working Environment | -35°C ~ 60°C (-31°F ~ 140°F), Humidity: ≤95% RH (non-condensing) |
| Ingress Protection | IP67 |

Dimensions





Zhejiang Uniview Technologies Co., Ltd.

Building No.10, Wanlun Science Park, Jiangling Road 88, Binjiang District, Hangzhou, Zhejiang, China (310051)

Email: overseasbusiness@uniview.com; globalsupport@uniview.com

<http://www.uniview.com>

©2019 Zhejiang Uniview Technologies Co., Ltd. All rights reserved.

*Product specifications and availability are subject to change without notice.