

4MP LightHunter Deep Learning Bullet Network Camera

IPC264SA-DZK-BA



Key Features

Optics

- 1/1.8", Powered by lighthunter (color in total darkness)
- SmartIR, up to 50m (164 ft) IR distance
- Up to 120 dB Optical WDR (Wide Dynamic Range), 3D DNR
- Adaptive fogging

Smart

- Face detection, up to 40 faces simultaneously
- Face metering, intelligent adjustment of face brightness
- Capture faces upon successful recognition or triggered by alarm input
- Automatic selection of best snapshots
- People Counting, statistics of people entering, leaving and the total number
- Perimeter Protection, include Cross Line, Intrusion, Enter Area, Leave Area detection
- Exception Detection and Statistics, include Object Moving, Object Left, Defocus, Scene Change

Compression

- 265+, H.265, H.264, MJPEG
- Triple streams
- 2688*1520@30fps in the main stream
- ROI (Region of Interest)
- 9:16 corridor mode

Network

- ONVIF Conformance

Structure

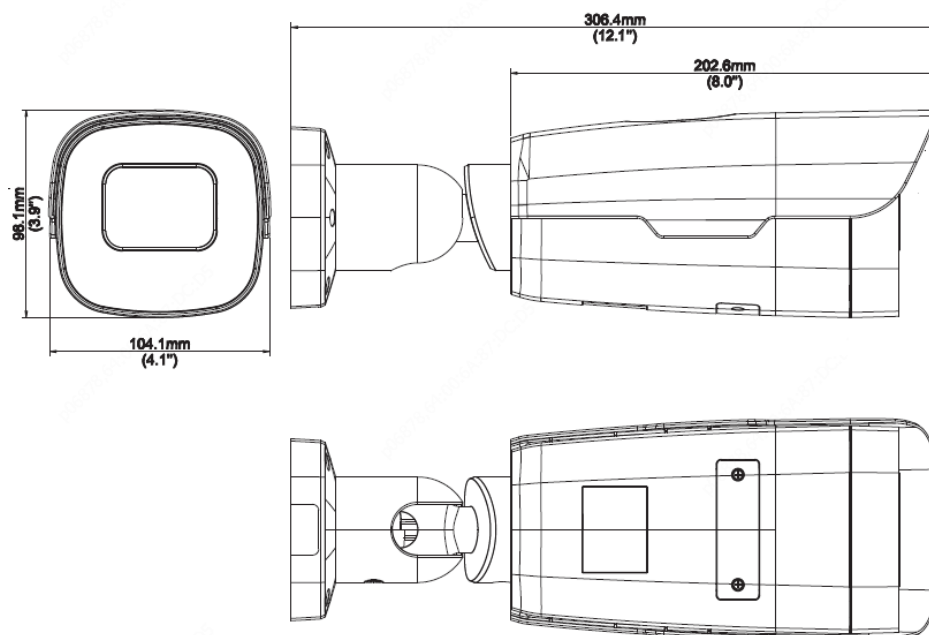
- DC12V or AC24V or PoE power supply
- Wide voltage range of $\pm 25\%$ in AC, $-10\% \sim +25\%$ in DC
- Micro SD, up to 256 GB
- Alarm 2 in and 1 out, Audio 1 in and 1 out
- IP67 ingress protection
- IK10 vandal resistant

Specifications

IPC264SA-DZK-BA																
Camera																
Sensor	1/1.8", 4.0 megapixel, progressive scan, CMOS															
Lens	2.8-12mm, AF automatic focusing and motorized zoom lens															
Iris	Auto aperture															
DORI Distance	<table border="1"> <thead> <tr> <th>Lens (mm)</th> <th>Detect (m)</th> <th>Observe (m)</th> <th>Recognize (m)</th> <th>Identify (m)</th> </tr> </thead> <tbody> <tr> <td>2.8</td> <td>42(12.8ft)</td> <td>16.8(5.1ft)</td> <td>8.4(2.6ft)</td> <td>4.2(1.3ft)</td> </tr> <tr> <td>12</td> <td>180(54.9ft)</td> <td>72(21.9ft)</td> <td>36(11.0ft)</td> <td>18(5.5ft)</td> </tr> </tbody> </table>	Lens (mm)	Detect (m)	Observe (m)	Recognize (m)	Identify (m)	2.8	42(12.8ft)	16.8(5.1ft)	8.4(2.6ft)	4.2(1.3ft)	12	180(54.9ft)	72(21.9ft)	36(11.0ft)	18(5.5ft)
	Lens (mm)	Detect (m)	Observe (m)	Recognize (m)	Identify (m)											
	2.8	42(12.8ft)	16.8(5.1ft)	8.4(2.6ft)	4.2(1.3ft)											
12	180(54.9ft)	72(21.9ft)	36(11.0ft)	18(5.5ft)												
Angle of View (H)	35.6°~107.9°															
Angle of View (V)	20.4°~75.4°															
Angle of View (O)	43.8°~140.3°															
Shutter	Auto/Manual, 1 ~ 1/100000s															
Video Bitrate	32Kbps ~ 16 Mbps															
Min. Illumination	Colour:0.0005lux (F1.0, AGC ON) 0 lux with IR															
WDR	120dB															
Day/Night	IR-cut filter with auto switch (ICR)															
Video																
Video Compression	H265+,H.265,H.264,MJPEG															
Frame Rate	4MP(2688*1520),Max 30fps															
9:16 corridor mode	Supported															
ROI	Supported															
Video stream	Triple streams															
OSD	Up to 8 OSDs															
Privacy Mask	Supported															
Smart																
Behavior Detection	Line crossing detection, Intrusion detection, Region entrance detection, Region exit detection															
Exception Detection And Statistics	Object Moving, Object Left, Defocus, Scene Change															
Recognition	Face detection															
Statistical Analysis	People counting															
General Function	Watermark, IP Address Filtering, Tampering Alarm, Alarm input, Alarm output, Access Policy, ARP Protection, RTSP Authentication, User Authentication															
Audio																

Audio Compression	G.711U,G.711A
Voice intercom	Supported
Sampling Rate	8KHZ
Storage	
Edge Storage	Micro SD/SDHC/SDXC, up to 256 GB
Network	
Protocols	L2TP,IPv4,IGMP,ICMP,ARP,TCP,UDP,DHCP,PPPoE,RTP,RTSP,DNS,DDNS,NTP,FTP,UPnP,HTTP,SNMP,SIP,802.1X,HTTPS
Compatible Integration	ONVIF, IMOS
Interface	
Audio I/O	Audio cable 1/1
Alarm I/O	2/1
Network	1 x RJ45 10M/100M Base-TX Ethernet
Serial Port	1 RS485
General	
Power	AC24V±25%, DC12V(-10%~+25%), PoE(IEEE802.3at)
	Power consumption: 13.3W
	Support reverse polarity protection, Overvoltage and overcurrent protection
Dimensions (∅ x H)	∅306.4x104.1x98.4mm(∅12.1"x4.1"x3.9")
Weight	1.65kg(3.64lb)
Working Environment	-30°C~60°C(-22°F ~ 140°F), ≤95%RH
IR	50m (164ft)
Vandal Resistant	IK10
Ingress Protection	IP67

Dimensions



Building No.10, Wanlun Science Park, Jiangling Road 88, Binjiang District, Hangzhou, Zhejiang, China (310051)

Email: overseasbusiness@uniview.com; globalsupport@uniview.com

<http://www.uniview.com>

©2019 Zhejiang Uniview Technologies Co., Ltd. All rights reserved.

*Product specifications and availability are subject to change without notice.