

8MP WDR (Motorized)VF Vandal-resistant Network IR Fixed Dome Camera

IPC3238SR3-DVPZ



Key Features

Optics

- Day/night functionality
- Smart IR, up to 30m (98 ft) IR distance
- Up to 120 dB Optical WDR(Wide Dynamic Range)
- 2D/3D DNR (Digital Noise Reduction)

Compression

- Ultra 265, H.264, MJPEG
- Embedded smart algorithm
- Triple streams
- ROI (Region of Interest)
- 9:16 corridor mode

Network

ONVIF Conformance

Structure

Support PoE power supply

Built-in PoE splitter that outputs DC 12V

Wide temperature range: -40°C to 60°C (-40°F to 140°F)

Wide voltage range of ±25%

IK10 vandal resistant

IP67

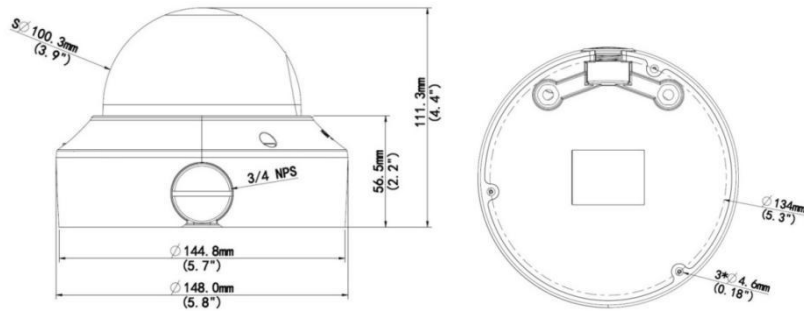
3-Axis

Specifications

IPC3238SR3-DVPZ																
Camera																
Sensor	1/2", progressive scan ,8.0 megapixel, CMOS															
Lens	2.8~12mm, AF automatic focusing and motorized zoom lens															
DORI Distance	<table border="1"> <thead> <tr> <th>Lens</th> <th>Detect(m)</th> <th>Observe(m)</th> <th>Recognize(m)</th> <th>Identify(m)</th> </tr> </thead> <tbody> <tr> <td>2.8mm</td> <td>63</td> <td>25.2</td> <td>12.6</td> <td>6.3</td> </tr> <tr> <td>12mm</td> <td>270</td> <td>108</td> <td>54</td> <td>27</td> </tr> </tbody> </table>	Lens	Detect(m)	Observe(m)	Recognize(m)	Identify(m)	2.8mm	63	25.2	12.6	6.3	12mm	270	108	54	27
	Lens	Detect(m)	Observe(m)	Recognize(m)	Identify(m)											
2.8mm	63	25.2	12.6	6.3												
12mm	270	108	54	27												
Angle of View (H)	114.8° ~ 47.3°															
Angle of View (V)	75.3°~20.4°															
Angle of View (O)	141.2°~55.8°															
Adjustment angle	<table border="1"> <thead> <tr> <th>Pan: 0°~360°</th> <th>Tilt: 0°~80°</th> <th>Rotate: 0°~360°</th> </tr> </thead> <tbody> <tr> <td></td> <td></td> <td></td> </tr> </tbody> </table>	Pan: 0°~360°	Tilt: 0°~80°	Rotate: 0°~360°												
Pan: 0°~360°	Tilt: 0°~80°	Rotate: 0°~360°														
Shutter	Auto/Manual, 1~1/100000 s															
Min. Illumination	Colour: 0.003 Lux (F1.5, AGC ON) 0Lux with IR															
IR Range	Up to 30m (98 ft) IR range															
Day/Night	IR-cut filter with auto switch (ICR)															
S/N	>52dB															
Defog	Digital Defog															
WDR	120dB															
Video																
Video Compression	Ultra 265, H.264,MJPEG															
Frame Rate	Main Stream: 8MP (3840*2160): Max. 15 fps;5MP(2592*1944) : Max. 30fps; 5MP(2944*1656) : Max. 30fps; 4MP(2560*1440) : Max. 30fps;2MP (1920*1080): Max. 30fps Sub Stream: 2MP (1920*1080): Max. 30fps Third Stream: D1 (720*576): Max. 30 fps															
9:16 Corridor Mode	Supported															
BLC	Supported															

HLC	Supported
OSD	Up to 8 OSDs
ROI	Up to 8 areas
Privacy Mask	Up to 8 areas
Motion Detection	Up to 4 areas
Smart	
Behavior Detection	Intrusion, cross line, motion detection
Intrusion	Enter and loiter in a pre-defined virtual region
cross line	Cross a pre-defined virtual line
motion detection	Moving within a pre-defined virtual region
Recognition	Face detection、Audio detection
Intelligent Identification	Defocus, Scene Change
Statistical Analysis	People counting
General Function	Watermark, IP Address Filtering, Tampering Alarm, Alarm input, Alarm output, Access Policy, ARP Protection, RTSP Authentication, User Authentication
Audio	
Audio Compression	G.711
Two-way audio	Supported
Suppression	Supported
Sampling Rate	8 KHZ
Storage	
Edge Storage	Micro SD, up to 256GB
Network Storage	ANR
Network	
Protocols	IPv4, IGMP, ICMP, ARP, TCP, UDP, DHCP, PPPoE, RTP, RTSP, RTCP, DNS, DDNS, NTP, FTP, UPnP, HTTP, HTTPS, SMTP, 802.1x, SNMP
Compatible Integration	ONVIF(Profile S, Profile G, Profile T), API
Interface	
Audio I/O	Audio cable
	Input: impedance 35 kΩ; amplitude 2 V [p-p]
	Output: impedance 600 Ω; amplitude 2 V [p-p]
Alarm I/O	1/ 1
Network	1 RJ45 10M/100M Base-TX Ethernet
Video Output	1 BNC, impedance 75 Ω; amplitude 1 V [p-p]
General	
Power	12 V DC±25%, PoE (IEEE802.3 af)
	Power consumption: Max.8 W
Dimensions (Ø x H)	Φ148 x 111.3 mm (Ø5.8" x 4.4")
Weight	0.92 kg (2.0 lb)
Working Environment	-40°C ~ +60°C (-40°F ~ 140°F), Humidity:10%~95% RH(non-condensing)
Reset Button	Supported
Ingress Protection	IP67
Vandal Resistant	IK10

Dimensions



Zhejiang Uniview Technologies Co., Ltd.

Building No.10, Wanlun Science Park, Jiangling Road 88, Binjiang District, Hangzhou, Zhejiang, China (310051)

Email: overseasbusiness@uniview.com; globalsupport@uniview.com

<http://www.uniview.com>

©2018 Zhejiang Uniview Technologies Co., Ltd. All rights reserved.

*Product specifications and availability are subject to change without notice.