

4MP VF Network IR Bullet Camera

IPC2324EBR-DPZ28



Key Features

Optics

- Day/night functionality
- Smart IR, up to 30m (98ft) IR distance
- Up to 120 dB Optical WDR (Wide Dynamic Range)
- 2D/3D DNR (Digital Noise Reduction)

Compression

- Ultra 265, H.265, H.264, MJPEG
- Embedded smart algorithm
- Triple streams
- ROI (Region of Interest)
- 9:16 corridor mode
- Customized OSD

Network

- ONVIF Conformance

Structure

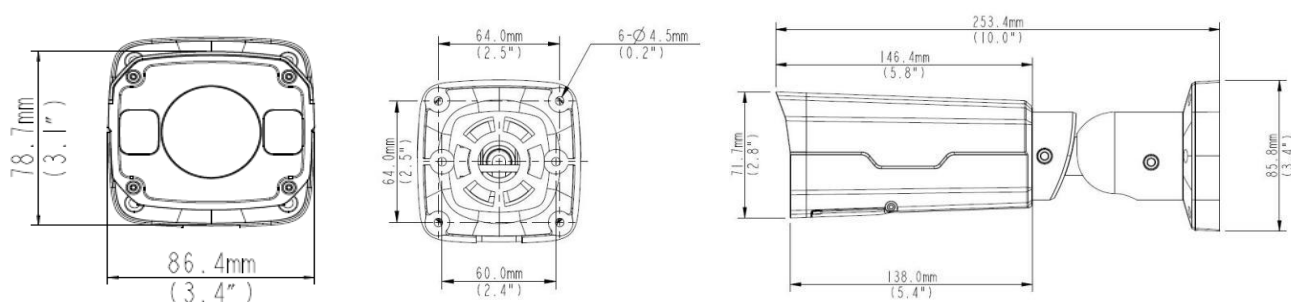
- Wide temperature range: -35°C ~ 60°C (-31°F ~ 140°F)
- Wide voltage range of ±25%
- IP67

Specifications

IPC2324EBR-DPZ28	
Camera	
Sensor	1/3", 4.0 megapixel, progressive scan, CMOS
Lens	2.7 ~ 12mm,@F1.4
Angle of View (H)	91° ~ 27°
Zoom/Focus	Motor drive
Shutter	Auto/Manual, 1/6 ~ 1/100000s
Min. Illumination	Colour: 0.005Lux (F1.4, AGC ON) 0Lux with IR on
IR Range	Up to 30m (98ft) IR range
Day/Night	IR-cut filter with auto switch (ICR)
S/N	>55 dB
WDR	Optical WDR(up to 120 dB)
Image	AGC,AWB,BLC,2D/3D DNR
Video	
Max. Resolution	2592 x 1520
Video Compression	H.265, H.264, MJPEG
Frame Rate	4MP (2592×1520): Max.20 fps; 4MP (2560×1440): Max.25 fps 3MP(2048×1520): Max. 30 fps; 1080P (1920×1080): Max. 30fps
Video Streaming	Triple
9:16 Corridor Mode	Supported
OSD	Up to 8 OSDs
ROI	Up to 8 areas
HLC	Supported
Privacy Mask	Up to 8 areas
Evaluative Metering	Supported
Privacy Mask	Up to 8 areas
Smart	
Behavior Detection	Intrusion, cross line, motion detection

Exception Detection	Audio detection
Intelligent Identification	Defocus, Scene Change, Object Left, Object Moving
Statistical Analysis	People counting
Audio	
Audio Compression	G.711
Two-way audio	Supported
Storage	
Edge Storage	Micro SD, up to 256GB
Network	
Protocols	IPv4, IGMP, ICMP, ARP, TCP, UDP, DHCP, PPPoE, RTP, RTSP, RTCP, DNS, DDNS, NTP, FTP, UPnP, HTTP, HTTPS, SMTP, 802.1x, SNMP, QoS
Compatible Integration	ONVIF (Profile S, Profile G, Profile T), API
Interface	
Audio I/O	Audio cable
	Input: impedance 35kΩ; amplitude 2V [p-p]
	Output: impedance 600Ω; amplitude 2V [p-p]
Alarm I/O	1/1
Network	10M/100M Base-TX Ethernet
General	
Power	12V DC PoE (IEEE 802.3af)
	Power consumption: Max 9W
Dimensions (L × W × H)	253.4 × 86 × 71.7mm (9.98" × 3.4" × 2.8")
Weight	0.93kg (2.05lb)
Material	Cast aluminum
Working Environment	-35°C ~ 60°C (-31°F ~ 140°F), Humidity: ≤95% RH (non-condensing)
Ingress Protection	IP67

Dimensions



Accessories

Installation mode	Accessories	Description
Wall mount	\	Mounting pedestal is included in the Product package
Ceiling mount	\	Mounting pedestal is included in the Product package
Rail mount	TR-UP06-A-IN	For outdoor rail installation

Pole mount	TR-UP06-A-IN	For outdoor pole installation
------------	--------------	-------------------------------

Zhejiang Uniview Technologies Co., Ltd.

Building No.10, Wanlun Science Park, Jiangling Road 88, Binjiang District, Hangzhou, Zhejiang, China (310051)

Email: overseasbusiness@uniview.com; globalsupport@uniview.com

<http://www.uniview.com>

©2019 Zhejiang Uniview Technologies Co., Ltd. All rights reserved.

*Product specifications and availability are subject to change without notice.