

4MP WDR VF Vandal-resistant IR Dome Network Camera

IPC3234SR3-DVZ28



Key Features

Optics

- Day/night functionality
- Smart IR, up to 30m (98ft) IR distance
- Up to 120dB Optical WDR (Wide Dynamic Range)
- Lowlight surveillance
- 2D/3D DNR (Digital Noise Reduction)
- Built-in motorized lens for remote zoom

Compression

- H.265, H.264, MJPEG
- Embedded smart algorithm

- Triple streams
- ROI (Region of Interest)
- 9:16 corridor mode

Network

- ONVIF Conformance

Structure

- Support PoE power supply
- Built-in PoE splitter that outputs DC 12V
- Wide temperature range: -40°C ~ 60°C (-40°F ~ 140°F)
- Wide voltage range of ±25%
- IK10 vandal resistant
- IP67

Specifications

IPC3234SR3-DVZ28	
Camera	
Sensor	1/3", 4.0 megapixel, progressive scan, CMOS
Lens	2.7 ~ 12mm @F1.6
Angle of View (H)	91.0°(wide) ~ 27°(tele)
Zoom/Focus	Motor drive
Shutter	Auto/Manual, 1/6 ~ 1/100000s
Minimum Illumination	Colour: 0.005Lux (F1.4, AGC ON) 0Lux with IR
Day/Night	IR-cut filter with auto switch (ICR)
S/N	>55 dB
IR Range	Up to 30m (98ft) IR range
WDR	Optical WDR (up to 120dB)
Image	AGC,AWB,BLC,2D/3D DNR

Video

Max. Resolution	2591 x 1520
Video Compression	H.265, H.264, MJPEG
Frame Rate	4MP (2592*1520), Max 20fps; 4MP (2560*1440), Max 25fps; 3MP (2048*1520), Max 30fps; 3MP (2048*1520), Max 30fps; 1080P (1920x1080): Max. 25fps
Video Streaming	Triple
9:16 Corridor Mode	Supported
OSD	Up to 8 OSDs
Privacy Mask	Up to 4 areas
ROI	Support
Evaluative Metering	Support

Smart

Behavior Detection	Intrusion, cross line, motion detection
Exception Detection	Audio detection
Intelligent Identification	Face detection, Defocus, Scene Change
Statistical Analysis	People counting

Audio

Audio Compression	G.711
Two-way audio	Supported

Storage

Edge Storage	Micro SD, up to 256GB
--------------	-----------------------

Network

Protocols	L2TP, IPv4, IGMP, ICMP, ARP, TCP, UDP, DHCP, PPPoE, RTP, RTSP, RTCP, DNS, DDNS, NTP, FTP, UPnP, HTTP, HTTPS, SMTP, SIP, 802.1x
Compatible Integration	ONVIF, API

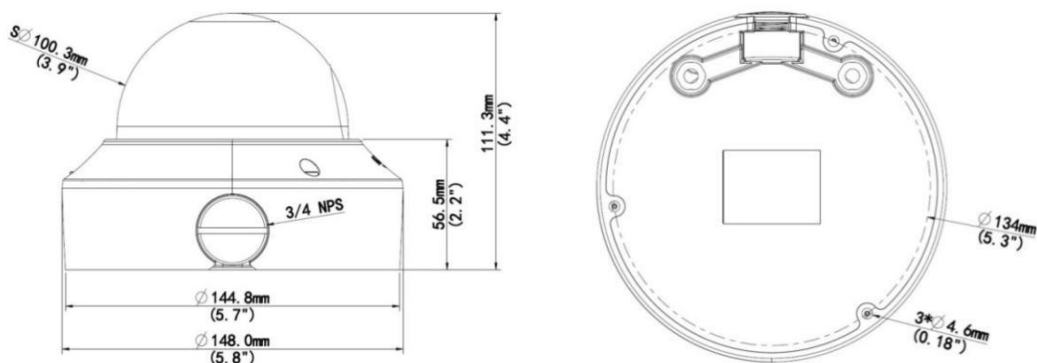
Interface

Audio I/O	Audio cable
	Input: impedance 35kΩ; amplitude 2V [p-p]
	Output: impedance 600Ω; amplitude 2V [p-p]
Alarm I/O	1/1
Network	1 RJ45 10M/100M Base-TX Ethernet
Video Output	1 BNC, impedance 75Ω; amplitude 1V [p-p]
Reset Button	Support
Power Output	DC12V Power Output With PoE

General

Power	DC 12V±25%, PoE (IEEE 802.3af)
	Power consumption: Max 7.2W
Dimensions (Ø x H)	Φ148 x 111.3mm (Ø5.8" x 4.4")
Net Weight	0.75kg (1.7lb)
Material	Metal + Plastic
Working Environment	-40°C ~ 60°C (-40°F ~ 140°F), Humidity: ≤95% RH (non-condensing)
Ingress Protection	IP67
Vandal Resistant	IK10

Dimensions



Accessories

Installation mode	Accessories	Description
Ceiling mount	Mounting pedestal is included in the product package	For indoor ceiling installation

Zhejiang Uniview Technologies Co., Ltd.

Building No.10, Wanlun Science Park, Jiangling Road 88, Binjiang District, Hangzhou, Zhejiang, China (310051)

Email: overseasbusiness@uniview.com; globalsupport@uniview.com

<http://www.uniview.com>

©2019 Zhejiang Uniview Technologies Co., Ltd. All rights reserved.

*Product specifications and availability are subject to change without notice.