

# 2MP 44X Lighthunter Intelligent Network Positioning system

IPC7622ER-X44-VF



## Key Features



- High quality image with 2MP,1/2.8" CMOS sensor
- 1920\*1080@60fps in the main stream
- Triple streams
- 44X Optical Zoom
- Support Optical defog, Self-adaptive defog
- Smart IR, up to 400m (1312ft) IR distance
- Rain-sensing auto wiper
- Power supply: DC  $\pm 48V \pm 25\%$ , DC  $24V \pm 15\%$  (DC20V~DC60V), AC  $24V \pm 25\%$
- Alarm 7 in and 2 out, Audio 1 in and 1 out
- IP67 ingress protection

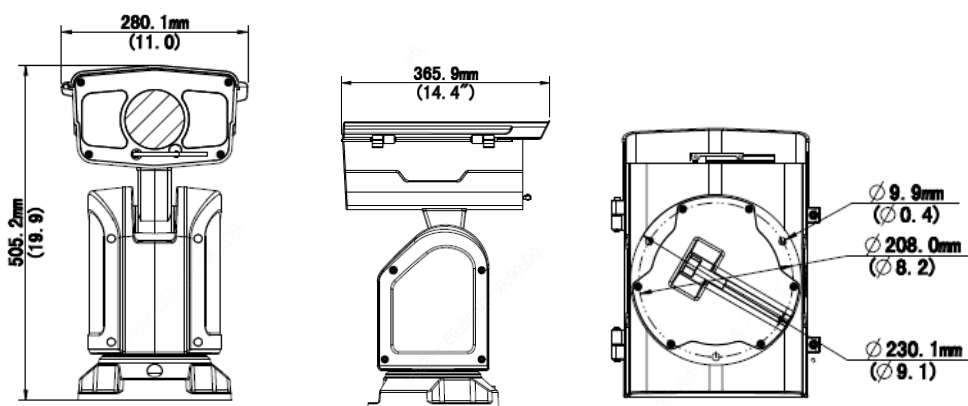
## Specifications

	IPC7622ER-X44-VF				
<b>Camera</b>					
Sensor	1/2.8", 2.0 megapixel, progressive scan, CMOS				
Minimum Illumination	Colour: 0.0005Lux (F1.2, AGC ON) 0Lux with IR				
Day/Night	IR-cut filter with auto switch (ICR)				
Shutter	Auto/Manual, 1 ~ 1/100000s				
WDR	120dB				
S/N	>52dB				
<b>Lens</b>					
Lens type	5 ~ 220mm, AF automatic focusing and motorized zoom lens				
Digital Zoom	16				
Optical Zoom	44				
Iris	Auto; F1.2 ~ F3.5				
Angle of View (H)	60.6° ~ 1.8°				
Angle of View (V)	35.6° ~ 1.2°				
Angle of View (O)	70.2° ~ 2.6°				
<b>DORI</b>					
	Lens (mm)	Detect (m)	Observe (m)	Recognize (m)	Identify (m)
DORI Distance	5	77.6(254.5ft)	31.0(101.8ft)	15.5(50.9ft)	7.8(25.5ft)
	220	2793.1(9163.7ft)	1117.2(3665.5ft)	558.6(1832.7ft)	279.3(916.4ft)
<b>Illuminator</b>					
IR Range	Up to 400m (1312 ft) IR range				
Wavelength	850nm				
IR On/Off Control	Auto/Manual				
<b>Video</b>					
Video Compression	Ultra 265, H.265, H.264, MJPEG				
Frame Rate	Main Stream: 2MP (1920*1080), Max 60fps; Sub Stream: 2MP (1920*1080), Max 60fps; Third Stream: D1 (720*576), Max 60fps				
Video Bit Rate	128 Kbps~16 Mbps				
U-code	Support				
ROI	Up to 8 areas				
Video Stream	Triple streams				
OSD	Up to 8 OSDs				
Privacy Mask	24 areas, up to 4 areas per scene				
<b>Image</b>					
White Balance	Auto/Outdoor/Fine Tune/Sodium Lamp/Locked/Auto2				
Digital noise reduction	2D/3D DNR				
Flip	Normal/Flip Vertical/Flip Horizontal/180°/90°Clockwise/90°Anti-clockwise				
EIS	N/A				
HLC	Support				
BLC	Support				

Defog	Optical Defog & Digital Defog
<b>Events</b>	
Basic Detection	Motion detection, Audio detection, Tampering Alarm, Voltage detection;
Auto Tracking	Support
General Function	Watermark, IP Address Filtering, Alarm input, Alarm output, Access Policy, ARP Protection, RTSP Authentication, User Authentication
<b>Audio</b>	
Audio Compression	G.711U,G.711A
Audio Bitrate	64 Kbps
Two-way audio	Support
Suppression	Support
Sampling Rate	8kHz
<b>Storage</b>	
Edge Storage	Micro SD, up to 256GB
Network Storage	ANR,NAS(NFS)
<b>Network</b>	
Protocols	IPv4, IGMP, ICMP, ARP, TCP, UDP, DHCP, PPPoE, RTP, RTSP, RTCP, DNS, DDNS, NTP, FTP, UPnP, HTTP, HTTPS, SMTP, 802.1x, SNMP, QoS, RTMP, SSL/TLS
Compatible Integration	ONVIF (Profile S, Profile G, Profile T), API, SDK
User/Host	Up to 32 users. 2 user levels: administrator and common user
Security	Password protection, Strong password, HTTPS encryption, Export operation logs, Basic and digest authentication for RTSP, Digest authentication for HTTP, TLS 1.2, WSSE and digest authentication for ONVIF
Client	EZStation EZView EZLive
Web Browser	Plug-in free live view: Chrome 57.0+, Firefox 58.0+, Edge 16+, Safari 11+
	Plug-in required live view: IE9+, Chrome 41 and below, Firefox 52 and below
<b>Pan &amp; Tilt</b>	
Pan Range	360° (endless)
Pan Speed	0.1°/s ~ 140°/s
	Preset speed: 140°/s
Tilt Range	-45° ~ 90° (auto reverse)
Tilt Speed	0.1°/s ~ 50°/s
	Preset speed: 50°/s
Number of Presets	1024
Patrol	Preset patrol, Route patrol, Recorded patrol
Patrol Stay Time	15s~1800s
Preset Image Freeze	Support
Home Position	Support
<b>Interface</b>	
Audio I/O	1/1
Alarm I/O	7/2
Serial Port	1 RS485
Built-in Mic	N/A
Built-in Speaker	N/A

WIFI	N/A
Network	1*10M/100M/1000M Base-TX Ethernet
Video output	1 BNC
<b>Certification</b>	
EMC	FCC CFR 47 Part 15 EN 55032:2015 EN 55024:2010 EN 61000-3-2:2014 EN 61000-3-3-2013
Safety	IEC 62368-1 EN 62368-1 UL 60950-1
Environment	CE-ROHS (2011/65/EU;(EU)2015/863); WEEE (2012/19/EU); REACH (Regulation (EC) No 1907/2006)
Protection	Ingression protection: IP67 (IEC 60529-2013)
<b>General</b>	
Power	DC $\pm 48V \pm 25\%$ , DC $24V \pm 15\%$ (DC20V~DC60V), AC $24V \pm 25\%$
	Power consumption: Max 103W
Power Interface	Wires with cold-pressed terminal
Dimensions ( $\varnothing$ x H)	280.1mmx365.9mm x505.2mm ( $\varnothing 11.0''$ x 14.4'' x19.9'')
Weight	14.1kg(31.08lb)
Working Environment	-40°C ~ 70°C (-40°F ~ 158°F), Humidity: $\leq 95\%$ RH (non-condensing)
Storage Environment	-40°C ~ 70°C (-40°F ~ 158°F), Humidity: $\leq 95\%$ RH (non-condensing)
Surge Protection	6KV
Vandal Resistant	N/A
Ingress Protection	IP67
Reset Button	Support

## Dimensions



## Accessories

TR-WM08-B



wall mount
TR-WM08-B

**Zhejiang Uniview Technologies Co., Ltd.**

Building No.10, Wanlun Science Park, Jiangling Road 88, Binjiang District, Hangzhou, Zhejiang, China (310051)

Email: [overseasbusiness@uniview.com](mailto:overseasbusiness@uniview.com); [globalsupport@uniview.com](mailto:globalsupport@uniview.com)

<http://www.uniview.com>

©2021 Zhejiang Uniview Technologies Co., Ltd. All rights reserved.

\*Product specifications and availability are subject to change without notice.